

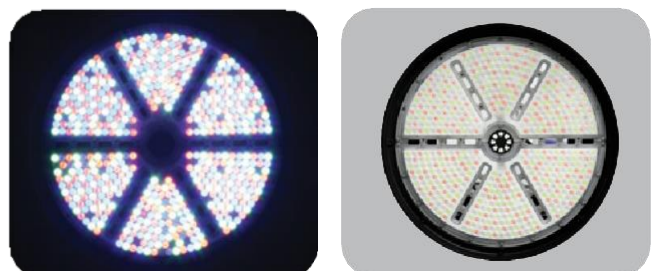
LED Sports Lighting

1800W RGB



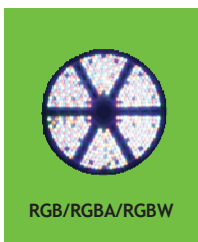
SP06B

- ❖ The driver is placed in a separate driver box, which helps to lower the working temperature and greatly extend the lifetime of the led fixture;
- ❖ The driver box can be disassembled and installed on the bottom of the light pole as a whole, so that the drivers can be replaced without hiring a crane.
- ❖ Fast and convenient wiring, and multiple led fixtures can be connected in series via AC wires;



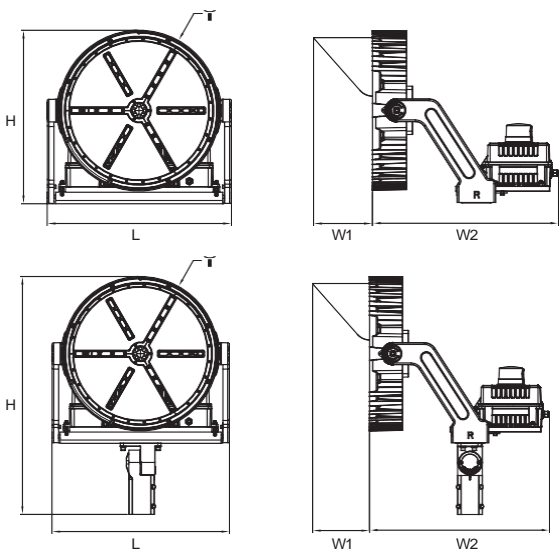
RGB

Power(W)	Input Voltage(V)	Delivered Lumens (lm)	Efficacy (lm/W)	CRI	Beam Angle	Available CCT	Operating Temp	IP Rating	Weight (kg)
400	120-277/200-480 100-240/200-415	56,000-60,000	140-150	Ra>70	20°, 30°, 40°, 60°, 80°, 120°	4000K/ 4500K/ 5000K/ 5700K	-40°~45°C	IP66	14.9
500		70,000-75,000	140-150	Ra>70	20°, 30°, 40°, 60°, 80°, 120°		-40°~45°C	IP66	14.9
600(S)		84,000-90,000	140-150	Ra>70	20°, 30°, 40°, 60°, 80°, 120°		-40°~45°C	IP66	14.9
600		84,000-90,000	140-150	Ra>70	20°, 30°, 40°, 60°, 80°		-40°~45°C	IP66	21.8
750		10,5000-112,500	140-150	Ra>70	20°, 30°, 40°, 60°, 80°		-40°~45°C	IP66	22.1
1000(S)		140,000-150,000	140-150	Ra>70	20°, 30°, 40°, 60°, 80°		-40°~45°C	IP66	22.1
1000		140,000-150,000	140-150	Ra>70	20°, 30°, 40°		-40°~45°C	IP66	25.8
1200		168,000-180,000	140-150	Ra>70	20°, 30°, 40°		-40°~45°C	IP66	26.1
1500(S)		210,000-225,000	140-150	Ra>70	20°, 30°, 40°		-40°~45°C	IP66	26.1
1500		210,000-225,000	140-150	Ra>70	20°, 30°, 40°		-40°~45°C	IP66	36.0
1800	252,000-270,000	140-150	Ra>70	20°, 30°, 40°	-40°~45°C	IP66	36.0		



Power(W)	Input Voltage(V)	Beam Angle	Available CCT	Operating Temp	IP Rating	Weight (kg)
500	120-277	20°, 30°, 40°, 60°, 80°, 120°	RGB	-40°~45°C	IP66	14.9
750	120-277/200-480	30°, 40°, 80°, 120°	RGB	-40°~45°C	IP66	22.1
1200	120-277	20°, 30°, 40°	RGBW	-40°~45°C	IP66	26.1
1500	200-480	20°, 30°, 40°	RGBW	-40°~45°C	IP66	36.0
1800	200-480	20°, 30°, 40°	RGBW	-40°~45°C	IP66	36.0

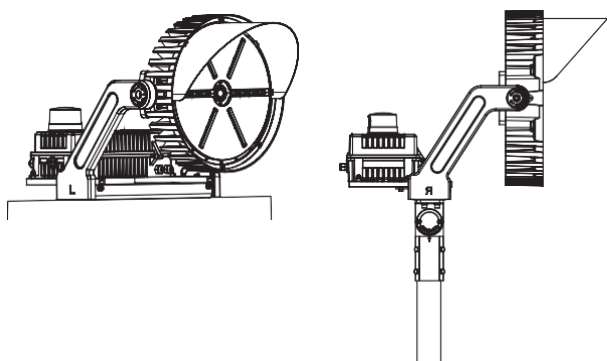
Dimension



Power	L	W1	W2	H	Φ
400-500W 600W(S)	439.1mm/17.3"	156.3mm/6.2"	522.3mm/20.6"	438.6mm/17.3"	375.4mm/14.8"
600-750W 1000W(S)	551.7mm/21.7"	177.5mm/7.0"	560.7mm/22.1"	521.5mm/20.5"	483.0mm/19.0"
1000-1200W 1500W(S)	617.3mm/24.3"	228.0mm/9.0"	598.3mm/23.6"	550.7mm/21.7"	541.4mm/21.3"
1500-1800W	722.0mm/28.4"	211.0mm/8.3"	633.0mm/24.9"	700.0mm/27.6"	640.0mm/25.2"

Power	L	W1	W2	H	Φ
400-500W 600W(S)	439.1mm/17.3"	156.5mm/6.2"	522.3mm/20.6"	661.1mm/26.0"	375.4mm/14.8"
600-750W 1000W(S)	551.7mm/21.7"	177.1mm/7.0"	560.7mm/22.1"	744.0mm/29.3"	483.0mm/19.0"
1000-1200W 1500W(S)	617.3mm/24.3"	228.0mm/9.0"	598.3mm/23.6"	773.2mm/30.4"	541.4mm/21.3"
1500-1800W	722.0mm/28.4"	211.0mm/8.3"	633.0mm/24.9"	925.0mm/36.4"	640.0mm/25.2"

Installation Diagram



Distribution Diagram

