

Long Range DC Fixture Controller



WPPA102-BH4-W



WPPA102-AUX-W



WPPA102-Z10-W

mating receptacle(not included in the product package)



BH4W



SC01-AUX



Zhaga-Z10



FEATURES

WPPA102-W has enhanced antenna with 656ft transmit distance, is ideal for outdoor applications, with longer distances between system nodes. Outdoor IP66-rated controller housing features a black finish designed to complement commercial outdoor luminaires, with nylon UV-rated material.

- IP66 waterproof
- Black finish suitable for complementing commercial outdoor luminaires
- 4-pin design enables color-tuning
- Enables wireless linking to other Keilton devices

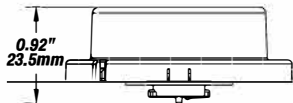
Note:

- Requires Dim-to-Off LED drivers
- Requires LUMenativ BH4W receptacle

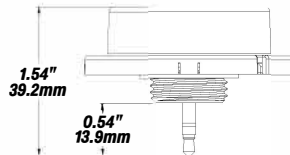
DIMENSION

Unit: inch/mm

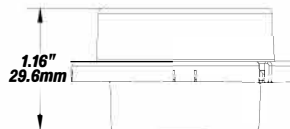
WPPA102-BH4-W



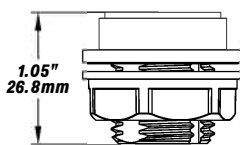
WPPA102-AUX-W



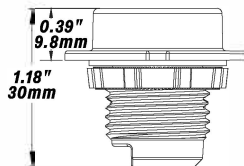
WPPA102-Z10-W



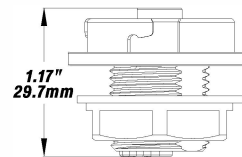
BH4W



SC01-AUX



Z10



| MODEL | DESCRIPTION |
|---------------|--|
| WPPA102-BH4-W | Waterproof DC Fixture Controller - BH4 Base |
| WPPA102-AUX-W | Waterproof DC Fixture Controller - 3.5mm Audio Jack Base |
| WPPA102-Z10-W | Waterproof DC Fixture Controller - Zhaga Base |

SPECIFICATIONS

Input Voltage: DC 12V

Input Current: 41mA Max

Input Power: 0.5W

Output Current: 10mA Max

Output Power: 0.1W

Dimming: Class 2, 0-10V DC 10mA Max

Sinking Current: 10mA Max

Bluetooth Transmit: 656ft Max

Radio Frequency: 2.4GHz ± 75MHz

Bluetooth Version: 4.2

Housing Material: UL 94-5VA

Outdoor Use

Operating Temperature: -30°C to 65°C,
-22°F to 149°F

Storage Temperature: -30°C to 85°C,
-22°F to 185°F

IP Rating: IP66/Wet Location

Color: White/Black

Warranty: 5 years warranty

Complies to UL8750, UL1376, RoHS

Safety: cULus Listed LED Controller

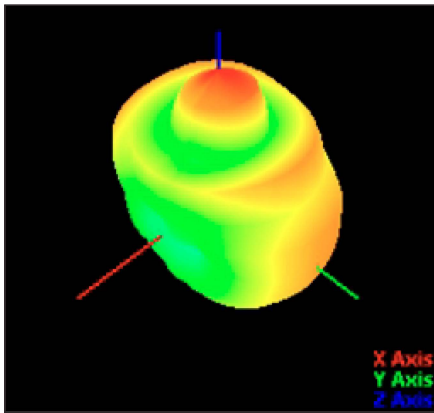
E504054

FCC ID: 2A26YLTKVT2021

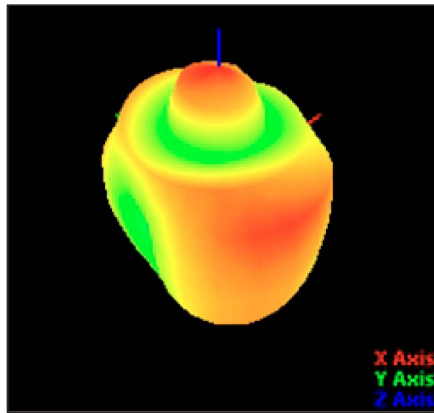
DID: D057145

DLC: NLTRC5KL0TN

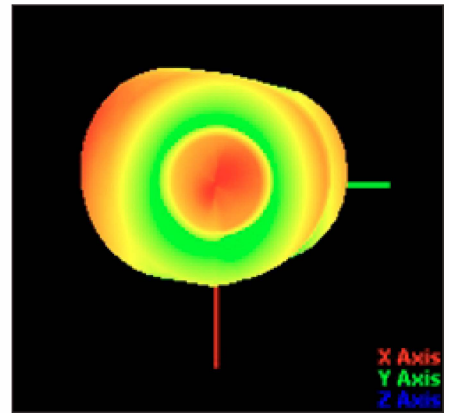
TRANSMISSION



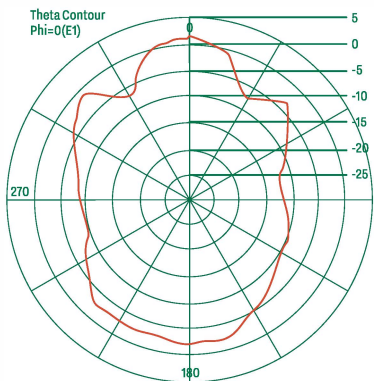
T45-P45



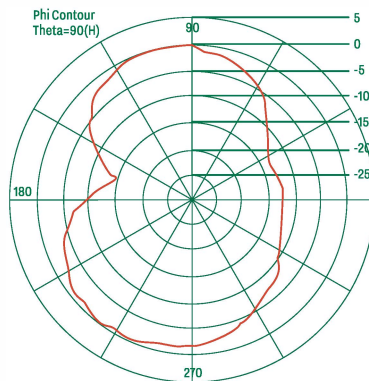
T45-P225



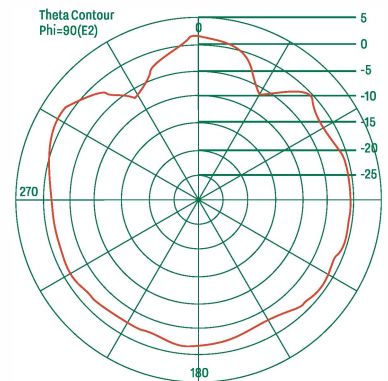
T0-P0



XOZ



XOY



YOZ

| Wireless Signal Strength | |
|--------------------------|-----------|
| Transmission Distance | RSSI(dbm) |
| 164ft(50m) | -62 |
| 328ft(100m) | -64 |
| 492ft(150m) | -69 |
| 656ft(200m) | -71 |



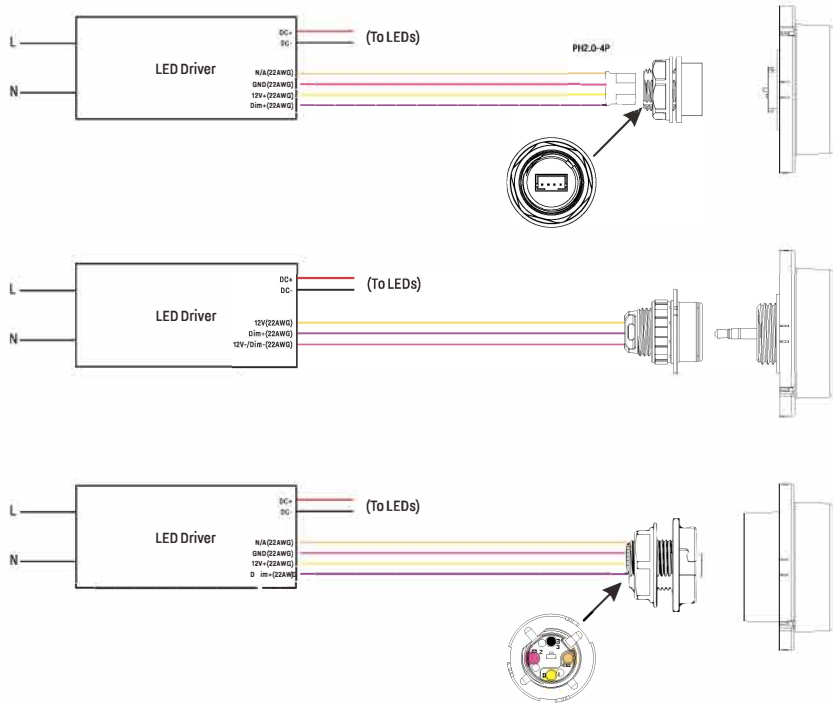
- 2.39
- 1.33
- 0.27
- 0.79
- 1.85
- 2.91
- 3.97
- 5.03
- 6.09
- 7.15
- 8.21
- 9.27
- 10.33
- 11.39
- 12.45
- 13.51
- 14.57
- 15.63

Co ordination System Description:

| | | |
|-----------|--------|---------------|
| Line Colr | XYZ | Theta-Phi |
| Red L. | Axis X | Theta90-Phio |
| Green L. | Axis Y | Theta90-Phi00 |
| Blue L. | Axis Z | Theta0 |

Note: The test transmission distance of two WPPA102-W

WIRING



1/2 inch US standard knockout

| AMERICAN INCH PRODUCTS | | |
|------------------------|-------|------------|
| Size | T.P.I | Major Dia. |
| R1/2 | 14 | 0.825 |

MARKING



The Bluetooth word mark and logos are registered trademarks owned by Bluetooth SIG, Inc. and any use of such marks by Litrace is under license. Other trademarks and trade names are those of their respective owners.

APP DOWNLOAD

