

# LENS OPTIONS

FOR PIR OCCUPANCY SENSOR



## PRODUCT OVERVIEW

The Occupancy Sensor Modules (sold separately) require one of available lenses to operate. Each Fresnel lens is designed for a different application, allowing using at different mounting heights and locations.

Each sensor lens snap-mounts to any sensor module and can be interchanged by simply un-snapping and re-snapping the ideal lens for the particular application.

## FEATURES

- 5 coverage choices for mounting height between 8 and 40ft
- Utilize Fresnel lens technology
- Removable Louver provides limited coverage pattern for aisleway application
- Interchangeable for all Lumenativ sensors
- Easily snap onto sensor module from fixture exterior
- IP66 rated when installed in outdoor-rated fixture
- Meets the material restrictions of RoHS

## DESCRIPTION

### HBL1 & HBL2 (IP66)

The HBL1 and HBL2 offer 360° coverage, best suited for open area and aisleway coverage in high bay applications. They are multi-cell, multi-tier Fresnel lenses offering a high-density coverage pattern.

HBL1 is designed for mounting height between 20 and 40ft, with a coverage area up to 80ft in diameter when mounted at 40ft.

HBL2 is designed for mounting height between 20 and 40ft, with a coverage area up to 64ft in diameter when mounted at 40ft.

### MBL1 (IP66)

The MBL1 offer 360° coverage for middle bay applications. They are providing wider detection pattern comparing to high bay lens.

MBL1 is designed for mounting height between 8 to 20ft, with a coverage area up to 50ft in diameter when mounted at 20ft.

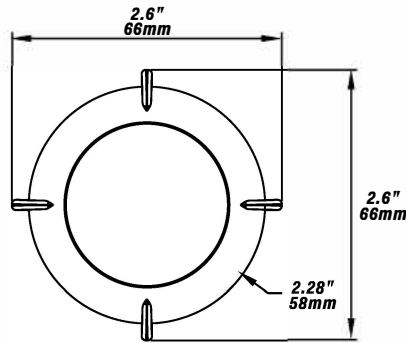
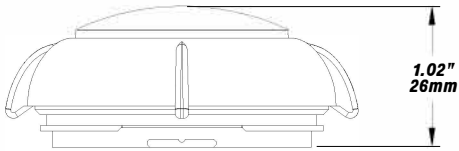
### LBL1 & LBL2 (IP20)

LBL1 use for integrated fixture sensor and offering wide detection at low bay applications. Designed for mounting height between 8 and 18ft, with a coverage area up to 40ft in diameter when mounted at 18ft.

LBL2 is designed for minor movement for low bay application. Designed for mounting height between 8 and 15ft, with a coverage area up to 32ft in diameter when mounted at 15ft.

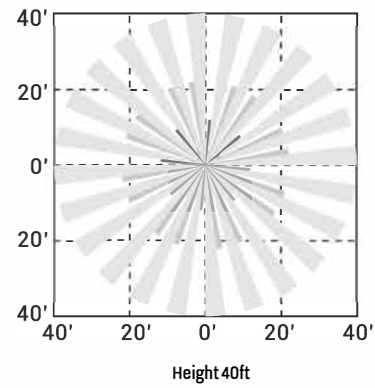
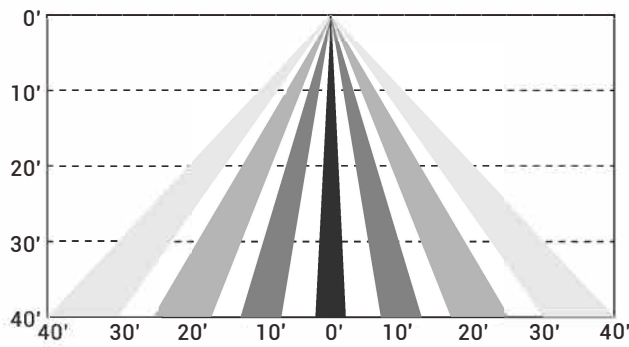
**COVERAGE PATTERN**

**HBL1**

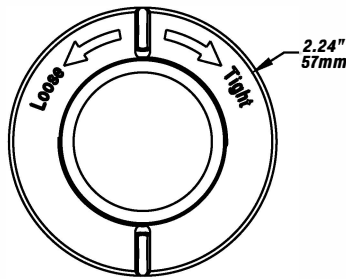
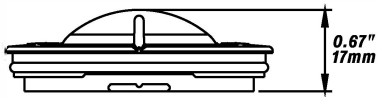


**Coverage Side View**

**Coverage Top View**

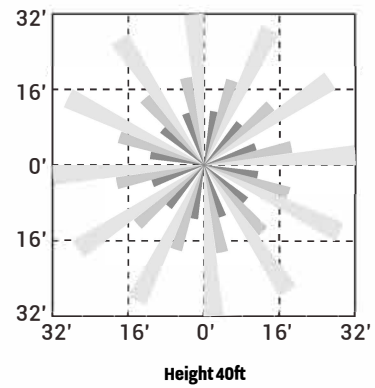
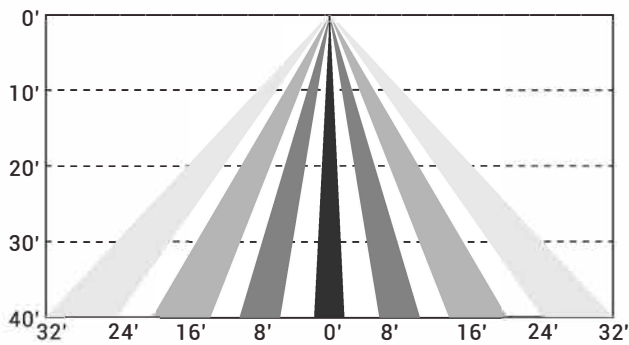


**HBL2**



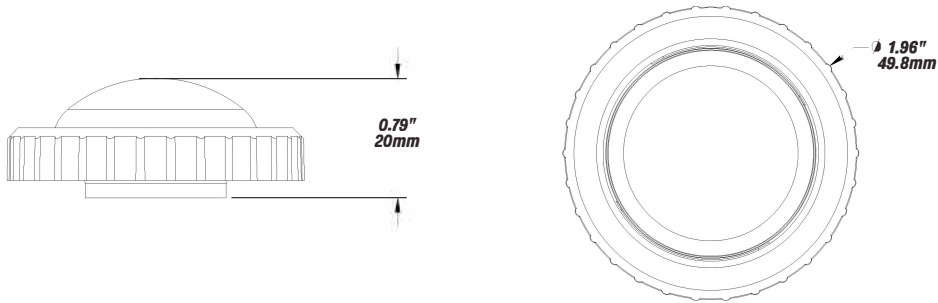
**Coverage Side View**

**Coverage Top View**

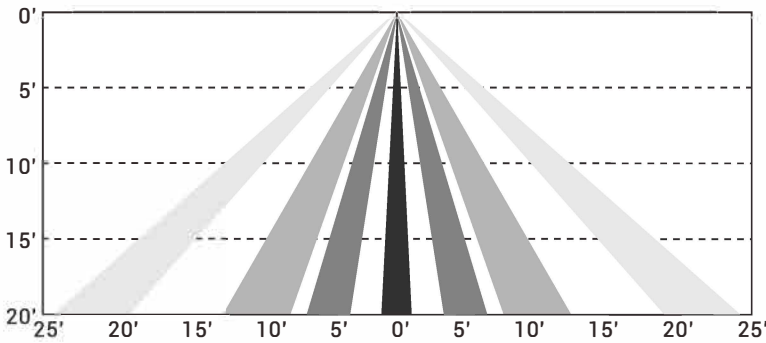


COVERAGE PATTERN

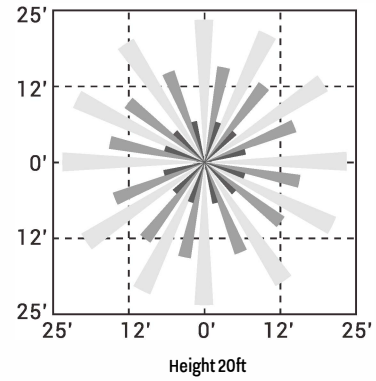
MBL1



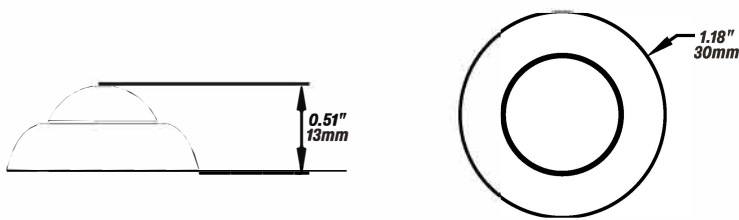
Coverage Side View



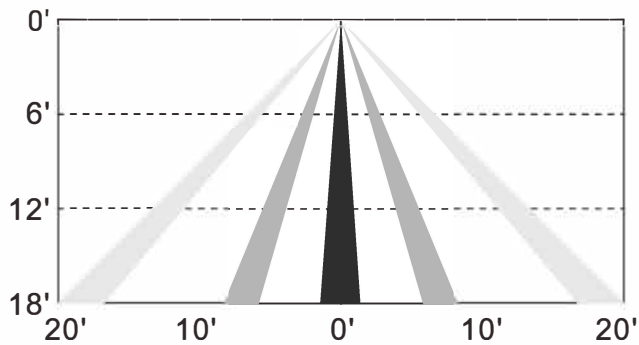
Coverage Top View



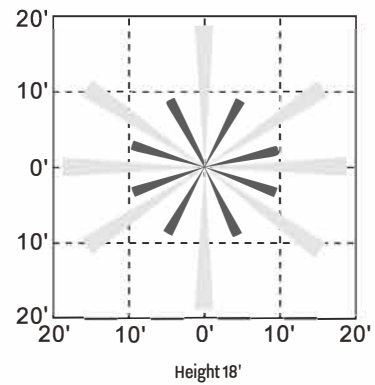
LBL1



Coverage Side View

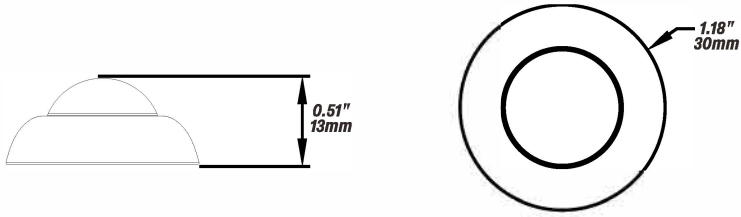


Coverage Top View

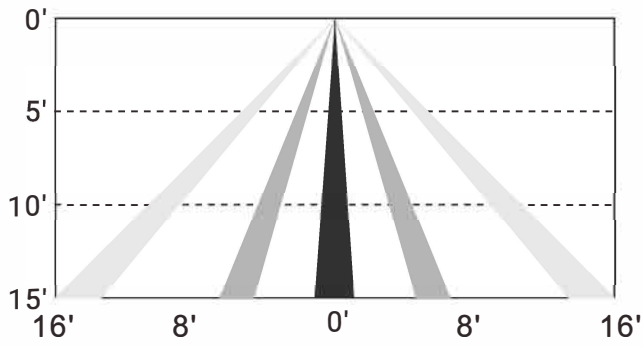


COVERAGE PATTERN

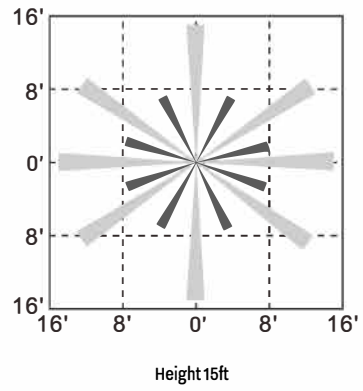
LBL2



Coverage Side View



Coverage Top View



## ORDER NUMBER

Catalog #	Color	Coverage	ERP Code	
HBL1-2"-W	White	Coverage @ 40ft height: Diameter 80ft	10.01048	
HBL1-1.3"-W			10.01118	
HBL1-0.5"-W			10.01098	
HBL1-2"-BR	Brown		10.01117	
HBL1-1.3"-BR			10.01355	
HBL1-0.5"-BR			10.01356	
HBL1-2"-B	Black		10.01274	
HBL1-1.3"-B			10.01357	
HBL1-0.5"-B			10.01358	
HBL2-2"-W	White		Coverage @ 40ft height: Diameter 64ft	10.01049
HBL2-1.3"-W				10.01110
HBL2-0.5"-W				10.01244
HBL2-2"-BR	Brown	10.01359		
HBL2-1.3"-BR		10.01360		
HBL2-0.5"-BR		10.01361		
HBL2-2"-B	Black	10.01362		
HBL2-1.3"-B		10.01363		
HBL2-0.5"-B		10.01364		
MBL1-2"-W	White	Coverage @ 20ft height: Diameter 50ft		10.01050
MBL1-1.3"-W				10.01097
MBL1-0.5"-W				10.01251
MBL1-2"-BR	Brown		10.01365	
MBL1-1.3"-BR			10.01366	
MBL1-0.5"-BR			10.01367	
MBL1-2"-B	Black		10.01368	
MBL1-1.3"-B			10.01369	
MBL1-0.5"-B			10.01370	
LBL1-0.5"-W	White		Coverage @ 18ft height: Diameter 40ft	10.01243
LBL2-0.5"-W	White		Coverage @ 15ft height: Diameter 32ft	10.01371