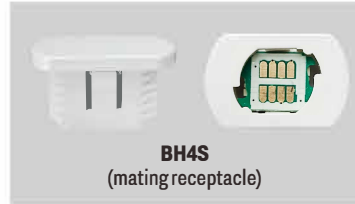


Low Bay Sensor

Plug and Play Type



IFS108-BH4



BH4S
(mating receptacle)



FEATURES

Lumenativ IFS108-BH4 sensors are designed for mating with Lumenativ BH4S receptacles to enable Bluetooth wireless luminaire level lighting control (LLLC) of commercial indoor luminaires such as panels, troffers, strips, vaportights, wraps, and low bays.

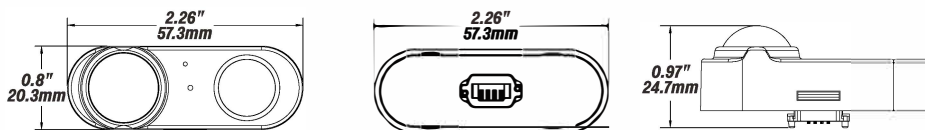
- Daylight harvesting + PIR digital sensing technology
- Low-profile linear design with minimal height above luminaire
- 4-pin design enables color-tuning
- Digital sensor design

Note:

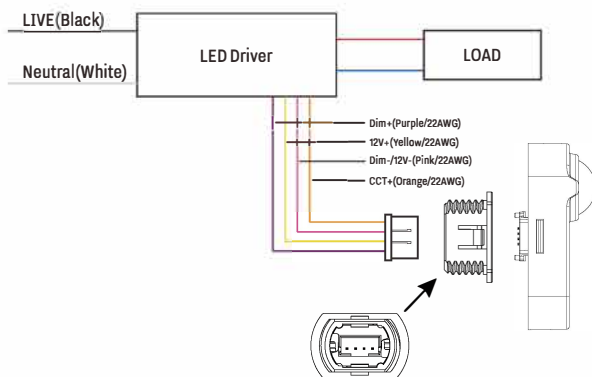
- Requires customized, tooled hole to install this sensor
- Requires Dim-to-Off LED drivers
- Requires Lumenativ BH4S receptacle

DIMENSION

Unit: inch/mm



WIRING



SPECIFICATIONS

Input Voltage: DC 12V
 Input Current: 25mA Max
 Input Power: 0.3W
 Output Current: 10mA Max
 Output Power: 0.1W
 Dimming: Class 2, 0-10V DC 10mA Max
 Sinking Current: 10mA Max

Bluetooth Transmit: 100ft Max
 Radio Frequency: 2.4GHz ± 75MHz
 Bluetooth Version: 4.2
 Housing Material: UL 94-5VA
 Indoor Use Only
 Detection Range: 40ft Max
 Mounting Height: 18ft Max
 Operating Temperature: -30°C to 55°C,
 -22°F to 131°F
 Storage Temperature: -30°C to 85°C,
 -22°F to 185°F
 IP Rating: IP20
 Color: White
 Warranty: 5 years warranty

Complies to UL8750, UL1376, RoHS
 Safety: cULus Recognized Component
 LED Controller E504054
 FCC ID: 2A26YLTkTvt201
 DID: D057145
 DLC: NLTRC5KL0TN

MODEL	DESCRIPTION
IFS108-BH4	Plug and Play Low Bay Sensor

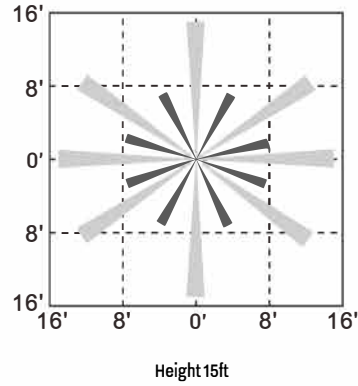
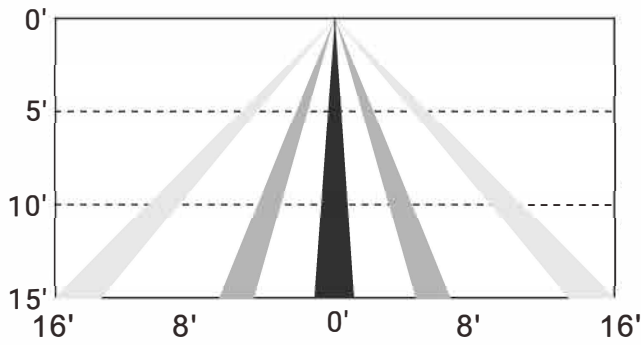
DIMENSION

LBL2

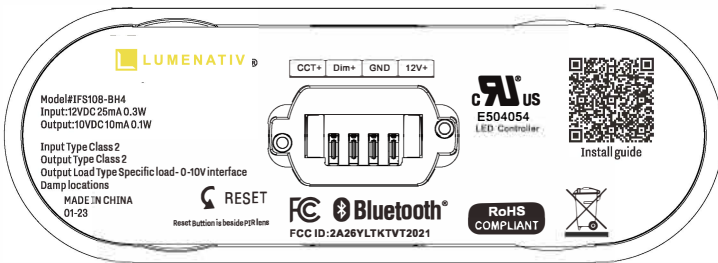


Coverage Side View

Coverage Top View



MARKING



The Bluetooth word mark and logos are registered trademarks owned by Bluetooth SIG, Inc. and any use of such marks by Litetrace is under license. Other trademarks and trade names are those of their respective owners.

APP DOWNLOAD

