

# Long Range RTC Dongle



## FEATURES

CR02-W is a long range RTC dongle for outdoor lighting project syncing for all devices in one Zone with 984ft communication distance.

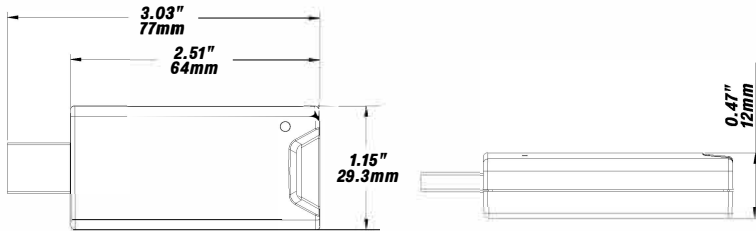
- Power by PPA102S through UTP devices
- Internal battery to keep time during power outage
- 5dBi external antenna with long distance transmit and IP65

\* Note: All application environments will not necessarily be able achieve max signal range due to factors such as signal obstructions, interference, and luminaire/housing design. Testing is recommended to ensure performance for the applications.

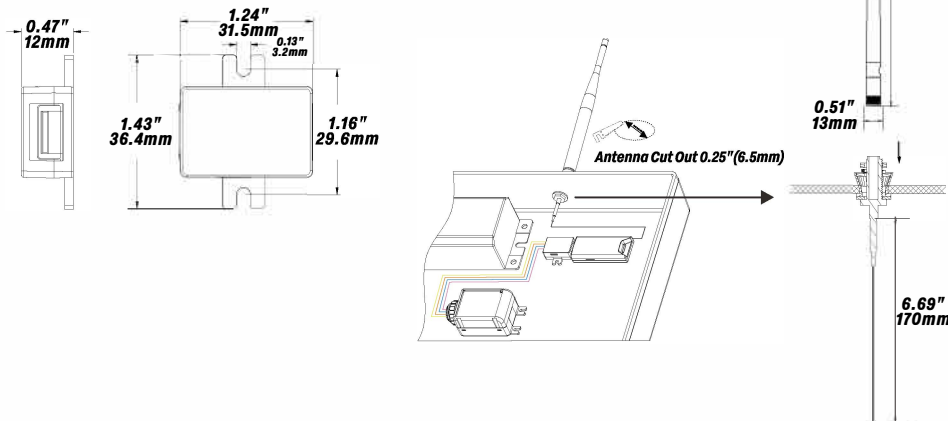
## DIMENSION

Unit: inch/mm

### CR02-W



### UTP



## SPECIFICATIONS

Input Voltage: USB 5V

Input Current: 30mA Max

Bluetooth Transmit: 984ft Max

Radio Frequency: 2.4GHz ± 75MHz

Bluetooth Version: 5.0

Housing Material: UL 94 V-0

Indoor Use Only

Operating Temperature: -30°C to 65°C,

-22°F to 149°F

Storage Temperature: -30°C to 85°C,

-22°F to 185°F

IP Rating: IP20

Color: White

Warranty: 5 years warranty

Comply to UL1376, RoHS

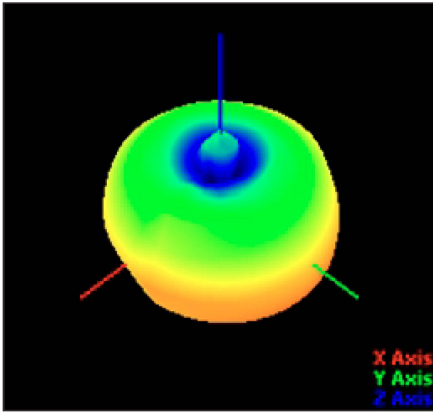
FCC ID: 2A26YLTKTVT2022

DID: D061367

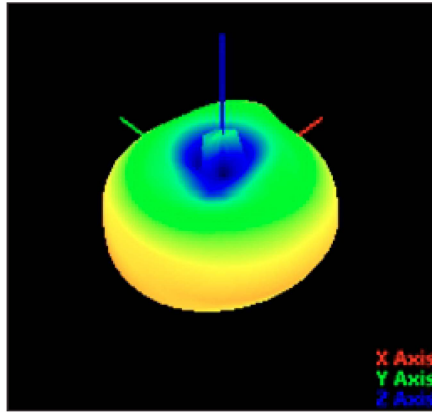
DLC: NLTRC5KL0TN

MODEL	DESCRIPTION
CR02-W	Long Range RTC Dongle
UTP	Accessory to Power the USB-A devices via PH2.0 connector

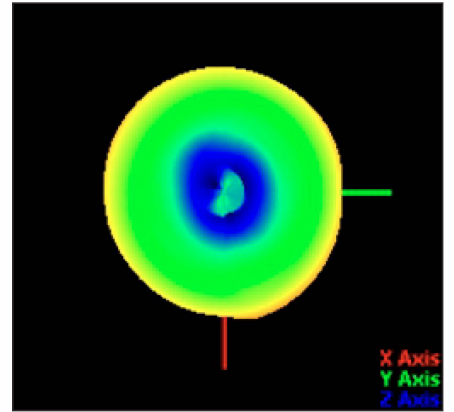
TRANSMISSION



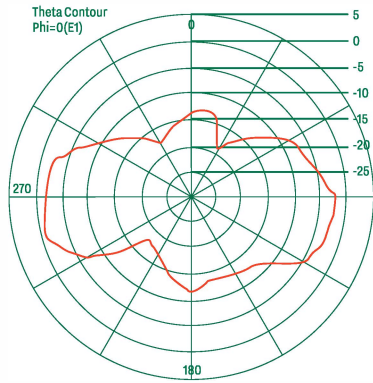
T45-P45



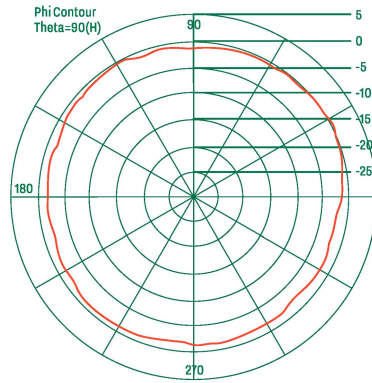
T45-P225



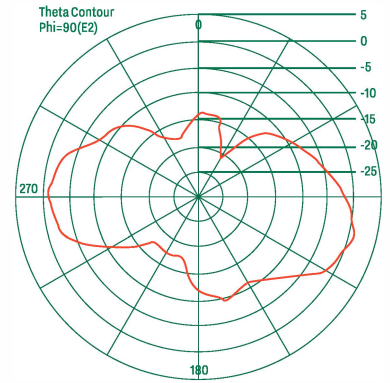
T0-P0



XOZ



XOY



YOZ

Wireless Signal Strength	
Transmission Distance	RSSI(dbm)
328ft(100m)	-69
492ft(150m)	-70
656ft(200m)	-72
820ft(250m)	-74
984ft(300m)	-75

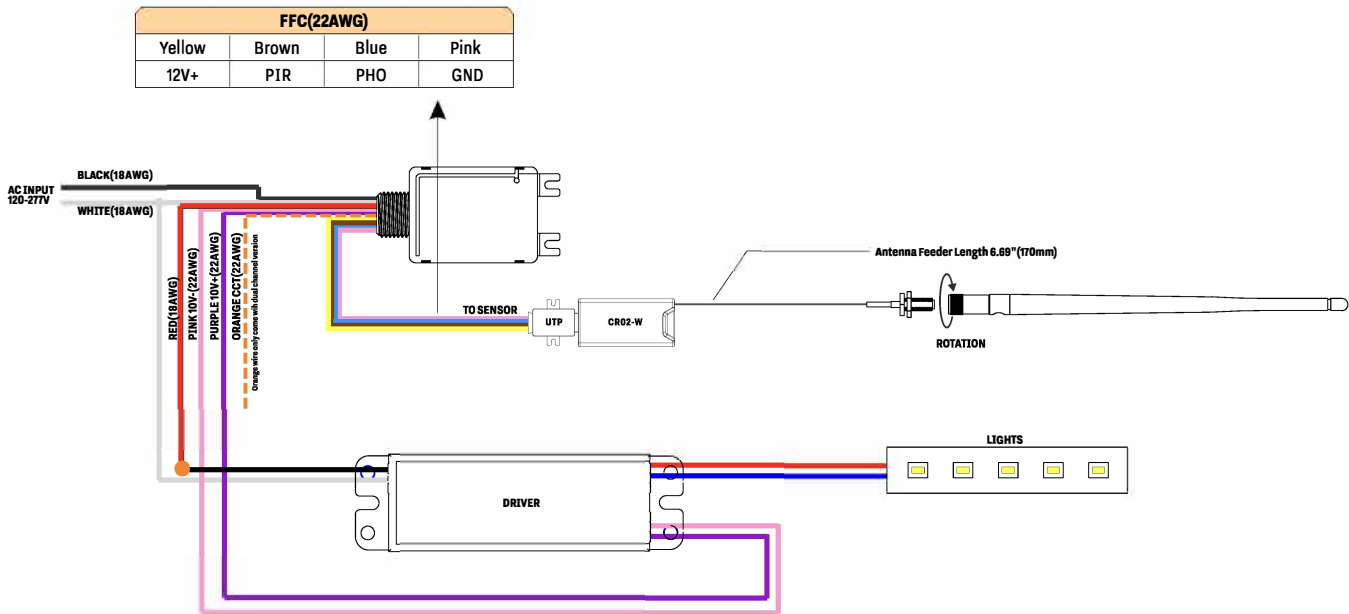
Note: The test transmission distance of two CR02-W



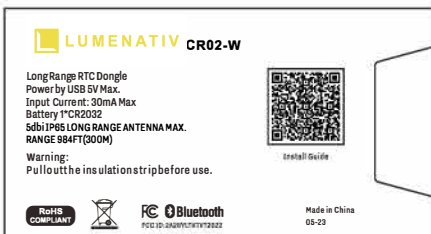
- 5.4
- 3.89
- 2.38
- 0.87
- 0.65
- 2.16
- 3.67
- 5.18
- 6.69
- 8.21
- 9.72
- 11.23
- 12.74
- 14.26
- 15.77
- 17.28
- 18.79
- 20.31

Coordination System Description:  
 Line Color XYZ Theta-Phi  
 Red L. Axis X Theta90-Phi0  
 Green L. Axis Y Theta90-Phi90  
 Blue L. Axis Z Theta0

## MARKING



## MARKING



The Bluetooth word mark and logos are registered trademarks owned by Bluetooth SIG, Inc. and any use of such marks by Litetrace is under license. Other trademarks and trade names are those of their respective owners.

## APP DOWNLOAD

