

Bluetooth Round LED Light Engine



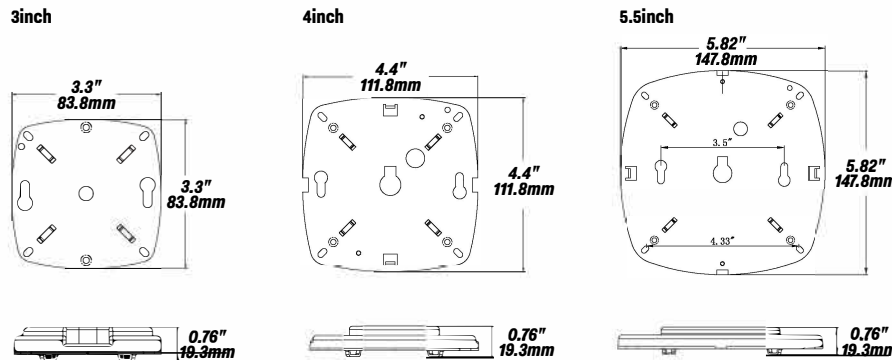
FEATURES

- Wireless Control by Keilton App
- Sensor ready and could be linkage to other Lumenativ sensors
- Bluetooth Mesh Network 5.0
- 120V Driver on Board solution
- Magnet reset

Equivalencies 3"	Equivalencies 4"	Equivalencies 5.5"
<ul style="list-style-type: none"> • 1x60W Incandescent • 1x18W CFL 	<ul style="list-style-type: none"> • 2x40W Incandescent • 2x11W CFL • 20W T9 Circline 	<ul style="list-style-type: none"> • 2x60W Incandescent • 2x13W CFL • 20W T9 Circline

DIMENSIONS

Unit: inch/mm



APPLICATION

- Ceiling Light
 - Flush Mount fixtures
 - Wall Sensors
- *These engines can be installed in the field directly as a retrofit kit.

Typical order example: B3RLE27120CDTDH--Bluetooth--3" round light engine--2700K--120V--CRI90--Dimmable--Title24--with diffuser and heatsink

Dimension	Version	MAX Lumens-Dimmable @CRI80@2700K	MAX Lumens-Dimmable @CRI90@2700K	PF	CRI	Control	Title 24	Diffuser&Hestsink
3"	RLE	750Lm	700Lm		C 90+	Dimmable	T	
4"	Round Light	1200Lm	1100Lm	>0.9	Blank			DH
5.5"	Engine	1700Lm	1500Lm		80+			

SPECIFICATIONS

Input Voltage: AC120

Frequency: 60Hz

3inch:

Input Current: 0.1A

Input Power: 10W

4inch:

Input Current: 0.14A

Input Power: 17W

5.5inch:

Input Current: 0.19A

Input Power: 23W

Bluetooth Transmit: 200ft Max

Radio Frequency: 2.4GHz ± 75MHz

Bluetooth Version: 5.0

Housing Material: UL 94 V-0

Indoor Use Only

Operating Temperature: -30°C to 65°C,

-22°F to 149°F

Storage Temperature: -30°C to 85°C,

-22°F to 185°F

IP Rating: IP20

Color: White

Warranty: 5 years warranty

Comply to UL1598C, UL8750, UL1376, RoHS

Safety: cULus Classified

Light-emitting-diode Luminaire

Retrofit Kits E476877

FCC ID: 2A26YLTKTVT2022

DID: D061367

DLC: NLTRC5KL0TN

MARKING

LUMENATIV

Model: B3RLE27120CDTDH
 Input: 10W, 120VAC, 0.1A, 60Hz
 Output: 2700K, 90CRI, 700Lumens
 Date Code: 04-23 Made in China
 SUITABLE FOR DAMP LOCATIONS.

Download on the App Store | GET IT ON Google Play

Scan below QR code for downloading the APP | Scan to download the App instruction | Install Guide

FCC Bluetooth FCC ID: 2A28YLTK1V1Z022 | ENEC COMPLIANT | CLASSIFIED C UL US | CE

LED RETROFIT LUMINAIRE CONVERSION
 FOR USE ONLY WITH PRODUCTS DESCRIBED AND INSTALLED
 IN ACCORDANCE WITH THE INSTRUCTIONS PROVIDED WITH THIS RETROFIT KIT

LUMENATIV

Model: B4RLE27120CDTDH
 Input: 17W, 120VAC, 0.14A, 60Hz
 Output: 2700K, 90CRI, 1100Lumens
 Date Code: 04-23 Made in China
 SUITABLE FOR DAMP LOCATIONS.

Download on the App Store | GET IT ON Google Play

Scan below QR code for downloading the APP | Scan to download the App instruction | Install Guide

FCC Bluetooth FCC ID: 2A28YLTK1V1Z022 | ENEC COMPLIANT | CLASSIFIED C UL US | CE

LED RETROFIT LUMINAIRE CONVERSION
 FOR USE ONLY WITH PRODUCTS DESCRIBED AND INSTALLED
 IN ACCORDANCE WITH THE INSTRUCTIONS PROVIDED WITH THIS RETROFIT KIT

LUMENATIV

Model: B5.5RLE27120CDTDH
 Input: 23W, 120VAC, 0.19A, 60Hz
 Output: 2700K, 90CRI, 1500Lumens
 Date Code: 04-23 Made in China
 SUITABLE FOR DAMP LOCATIONS.

Download on the App Store | GET IT ON Google Play

Scan below QR code for downloading the APP | Scan to download the App instruction | Install Guide

FCC Bluetooth FCC ID: 2A28YLTK1V1Z022 | ENEC COMPLIANT | CLASSIFIED C UL US | CE

LED RETROFIT LUMINAIRE CONVERSION
 FOR USE ONLY WITH PRODUCTS DESCRIBED AND INSTALLED
 IN ACCORDANCE WITH THE INSTRUCTIONS PROVIDED WITH THIS RETROFIT KIT

The Bluetooth word mark and logos are registered trademarks owned by Bluetooth SIG, Inc. and any use of such marks by Litetrace is under license. Other trademarks and trade names are those of their respective owners.

APP DOWNLOAD

