

485 Bridge



SPECIFICATIONS

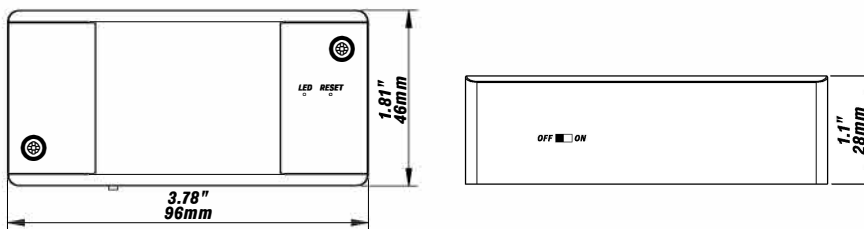
- Input Voltage: DC 12V
- Input Current: 30 mA
- Bluetooth Transmit: 100ft Max
- Radio Frequency: 2.4GHz ± 75MHz
- Bluetooth Version: 5.0
- Housing Material: UL 94V-0
- Operating Temperature: -18°C to 50°C, -0.4°F to 122°F
- Storage Temperature: -30°C to 85°C, -22°F to 185°F
- IP Rating: IP20
- Color: Black
- Warranty: 5 years warranty
- Comply to UL1376, RoHS
- FCC ID: 2A26YLTKTVT2022
- DID: D061367
- DLC: NLTRC5KLOTN

FEATURES

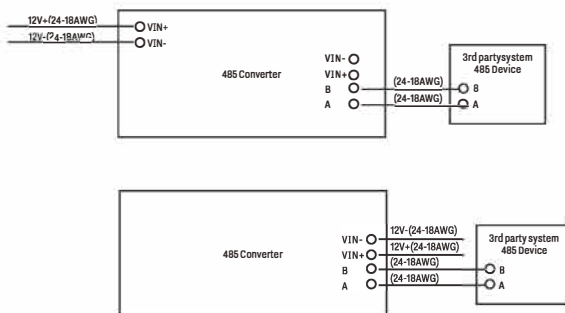
- BG01 is 485 bridge for connecting Lumenativ system to 3rd party systems through 485 port. 3rd party system send command to 485 bridge to control the luminaire in Keilton system.
- Bluetooth to 485
 - Two-way communication interface
 - Long distance transmission

DIMENSION

Unit: inch/mm

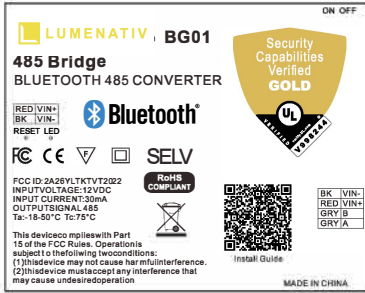


WIRING



MODEL	DESCRIPTION
BG01	485 Bridge

MARKING



The Bluetooth word mark and logos are registered trademarks owned by Bluetooth SIG, Inc. and any use of such marks by Litetrace is under license. Other trademarks and trade names are those of their respective owners.

APP DOWNLOAD

