

20A Zone Controller

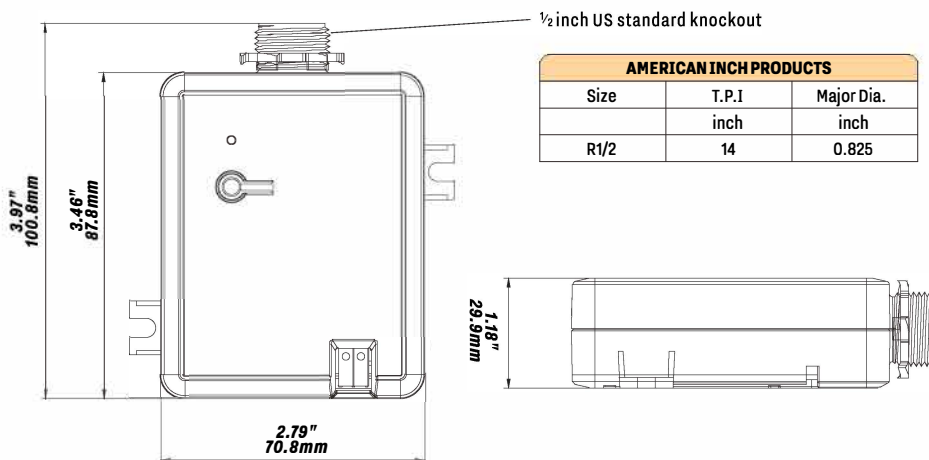


FEATURES

- Up to 20A relay allows PPA104S Zone Controller much higher power load than standard fixture controller.
- External 0-10V Dimming port allows sink current 48.5mA.
- UL Plenum Rated.
- Can work with other Lumenativ Devices.

DIMENSION

Unit: inch/mm



SPECIFICATIONS

Input Voltage: AC120-277V

Frequency: 50/60Hz

Input Current: 20A Max

Input Power: 2400W Max @ 120V,
5540W Max @ 277V

Output Voltage: AC120-277V

Output Current: 20A Max

Output Power: 2400W Max @ 120V,
5540W Max @ 277V

Dimming: Class 2, 0-10V DC 10mA Max

Sinking Current: 48.5mA Max

Bluetooth Transmit: 200ft Max

Radio Frequency: 2.4GHz ± 75MHz

Bluetooth Version: 4.2

Housing Material: UL 94-5VA,

Indoor Use Only

Operating Temperature: -30°C to 55°C,
-22°F to 131°F

Storage Temperature: -30°C to 85°C,
-22°F to 185°F

IP Rating: IP20

Color: White

Warranty: 5 years warranty

Comply to UL8750, UL2043, UL1376, RoHS

Safety: cULus Listed LED Controller

E504054

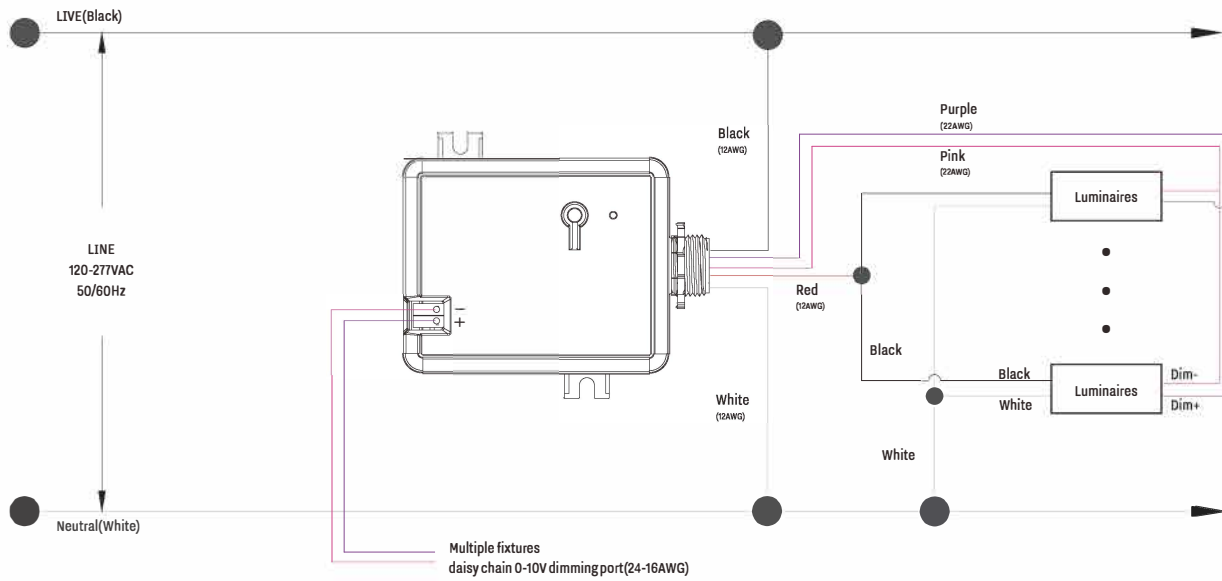
FCC ID: 2A26YLTkTVT2021

DID: D057145

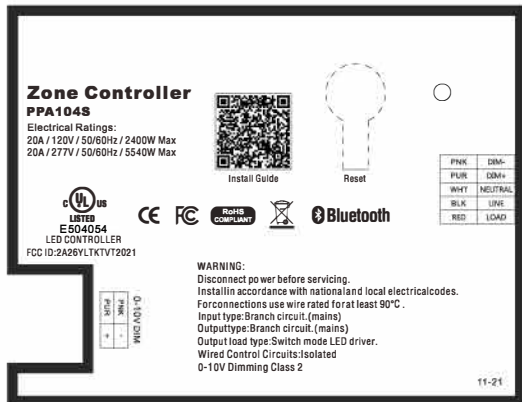
DLC: NLTRC5KLOTN

MODEL	DESCRIPTION
PPA104S	Zone Controller120-277V 20A

WIRING



MARKING



The Bluetooth word mark and logos are registered trademarks owned by Bluetooth SIG, Inc. and any use of such marks by Litetrace is under license. Other trademarks and trade names are those of their respective owners.

APP DOWNLOAD

