

# Fixture Controller

with Sensor Ready

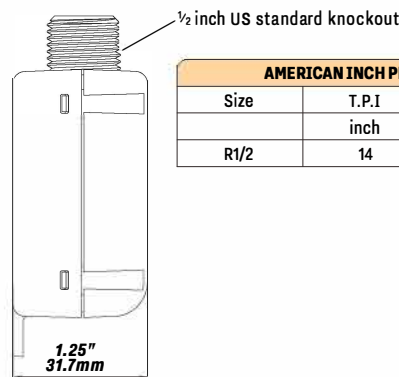
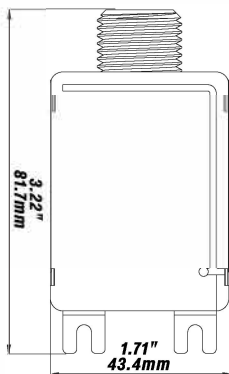


## FEATURES

PPA102S Bluetooth Fixture Controller is network based devices of Lumenativ lighting system, enables to manage and operate the luminaires through smart phone App. It provides 0-10V Single/Dual output and 6A Relay control for luminaires. It could be also equiped Lumenativ Eco-Sensor family products by plug the sensor wire connector into the Eco Sensor and active the sensor ready function.

## DIMENSION

Unit: inch/mm



AMERICAN INCH PRODUCTS		
Size	T.P.I	Major Dia.
	inch	inch
R1/2	14	0.825

## SPECIFICATIONS

Input Voltage: AC120-277V

Frequency: 60Hz

Input Current: 6A Max

Input Power: 720-1662W

Output Voltage: AC120-277V

Output Current: 6A Max

Output Power: 720-1662W

Dimming: Class 2, 0-10V DC 10mA Max

Sinking Current: 10mA Max

Bluetooth Transmit: 200ft Max

Radio Frequency: 2.4GHz ± 75MHz

Bluetooth Version: 4.2

Housing Material: UL 94-5VA,

Indoor Use Only

Operating Temperature: -30°C to 65°C,

-22°F to 149°F

Storage Temperature: -30°C to 85°C,

-22°F to 185°F

IP Rating: IP20

Color: White

Warranty: 5 years warranty

Comply to UL8750, UL2043, UL1376, RoHS

Safety: cULus Listed LED Controller

E504054

FCC ID: 2A26YLTKTVT2021

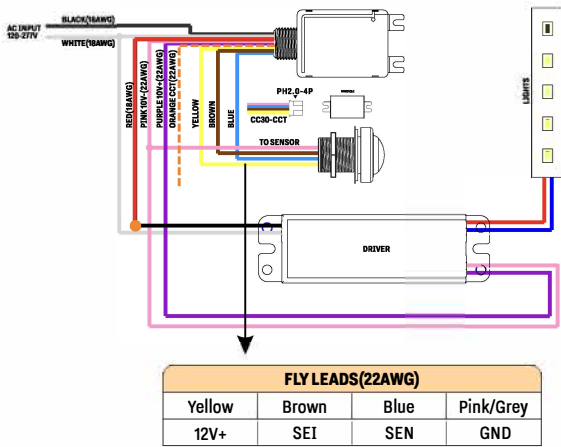
DID: D057145

DLC: NLTRC5KLOTN

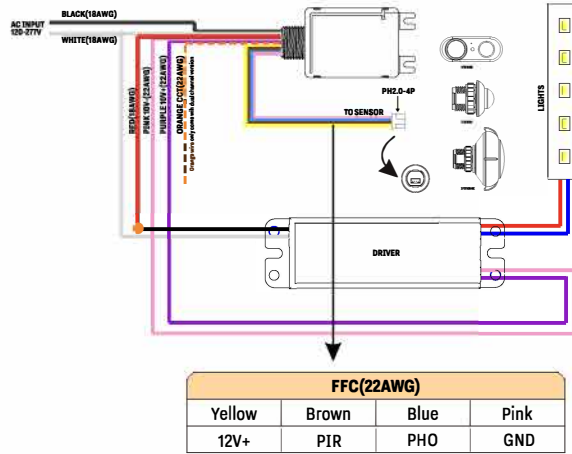
MODEL	DESCRIPTION
PPA102S	Fixture Controller with Single 0-10V output, 6A, 120-277V
PPA102S DUAL CHANNEL	Fixture Controller with dual 0-10V output, 6A, 120-277V

## WIRING

### V1.0



### V2.0



- PPA102S V1.0 only supports on&off power sequence to do the factory reset, only support IFS105, MWS105E eco sensor, Sensor ready supports sensitivity adjustment and not support photocell function.
- PPA102S V2.0 supports on&off power sequence and reset button to do the factory reset, only support IFS105E, IFS108E and IFS105HE eco sensors, Sensor ready supports daylight harvesting function and not supports sensitivity adjustment.

## MARKING

RED	L1
BK	L
WH	N
YEL	12V+
BRO	SEI
BLUE	SEN
PUR	10V+
PNK	GND



**PPA102S**  
Fixture Controller  
Sensor Ready

INPUT VOLTAGE:120-277VAC  
FREQUENCY:50/60Hz  
INPUT CURRENT:6A Max  
INPUT POWER:720-1662W  
OUTPUT VOLTAGE:120-277VAC  
OUTPUT CURRENT:6A Max  
OUTPUT WATTAGE:720-1662w  
AUX VOLTAGE:12VDC/0.2A  
DIMMING OUTPUT:0-10V  
AUX & DIMMING CLASS 2 Rated

Input type: Branch Circuit(mains)  
Output type: Branch Circuit(mains)  
Output load type: Switch mode LED driver  
Wired control Circuits:Isolated

**WARNING:**  
Install in accordance with the national and local electrical code. disconnect power before servicing. Damp Location

RoHS COMPLIANT

UL LISTED E504554 LED CONTROLLER

CE FCC Bluetooth

FCC ID:2A26YLTKVT2021

Made in China V1.0

RED	L1
BK	L
WH	N
YEL	12V+
BRO	PIR
BLUE	PHO
PUR	10V+
PNK	GND



**PPA102S**  
Network  
Fixture Controller  
Sensor Ready

INPUT VOLTAGE:120-277VAC  
FREQUENCY:50/60Hz  
INPUT CURRENT:6A Max  
INPUT POWER:720-1662W  
OUTPUT VOLTAGE:120-277VAC  
OUTPUT CURRENT:6A Max  
OUTPUT WATTAGE:720-1662w  
AUX VOLTAGE:12VDC/0.2A  
DIMMING OUTPUT:0-10V  
AUX & DIMMING CLASS 2 Rated

Input type: Branch Circuit(mains)  
Output type: Branch Circuit(mains)  
Output load type: Switch mode LED driver  
Wired control Circuits:Isolated

**WARNING:**  
Install in accordance with the national and local electrical code. disconnect power before servicing. Damp Location

RoHS COMPLIANT

UL LISTED E504554 LED CONTROLLER

CE FCC Bluetooth

FCC ID:2A26YLTKVT2021

Made in China V2.0

The Bluetooth word mark and logos are registered trademarks owned by Bluetooth SIG, Inc. and any use of such marks by Litrace is under license. Other trademarks and trade names are those of their respective owners.

## APP DOWNLOAD

