

# Line Voltage Occupancy Sensor

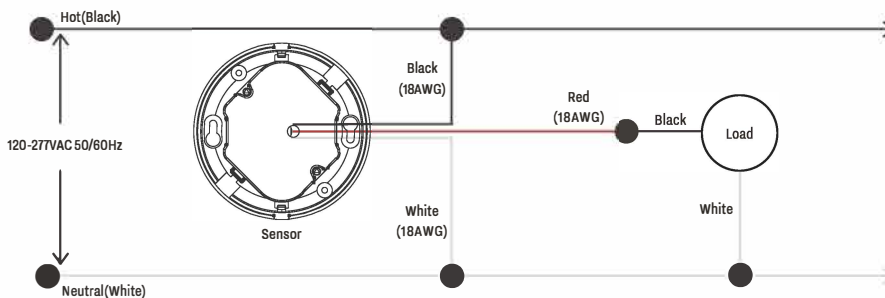
*Dual Mode*



## FEATURES

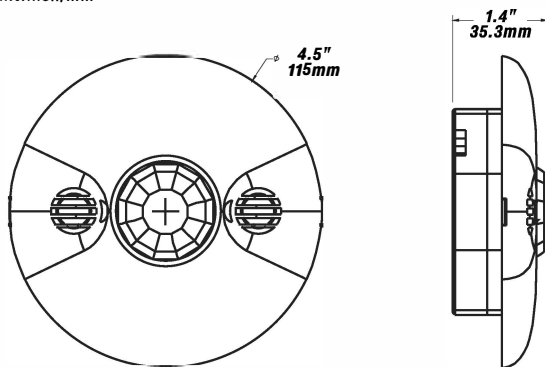
- CS107D is a dual-tech occupancy sensor combines PIR and ultrasonic technologies Which provide high accuracy and wide coverage.
- App commissioning allow the sensor to turn a load on and hold it if either or both technologies detect movement.
- CS107D can work together with other Lumenativ wirelessly.

## WIRING



## DIMENSION

Unit: inch/mm



## SPECIFICATIONS

Input Voltage: AC120-277V  
 Frequency: 50/60Hz  
 Resistive: 800W Max @ 120VAC  
 Tungsten: 800W Max @ 120VAC  
 Electronic Ballast: 800VA Max @ 120VAC,  
 1600VA Max @ 277VAC  
 Motor: 1/4 HP @ 120VAC

Bluetooth Transmit: 100ft Max  
 Radio Frequency: 2.4GHz ± 75MHz  
 Bluetooth Version: 5.0  
 Housing Material: UL 94-5VA  
 Indoor Use Only  
 Operating Temperature: 0°C to 55°C,  
 32°F to 131°F  
 Storage Temperature: -30°C to 85°C,  
 -22°F to 185°F  
 IP Rating: IP20  
 Color: White  
 Warranty: 5 years warranty

Comply to UL773A, UL1376, RoHS  
 Safety: cULus Listed E313780  
 Photoelectric Switches  
 FCC ID: 2A26YLTKTVT2021  
 DID: D061367  
 DLC: NLTRC5KLOTN

MODEL	DESCRIPTION
CS107D	Bluetooth Dual-Tech Ceiling Mount Sensor

**DETECTION AREA**

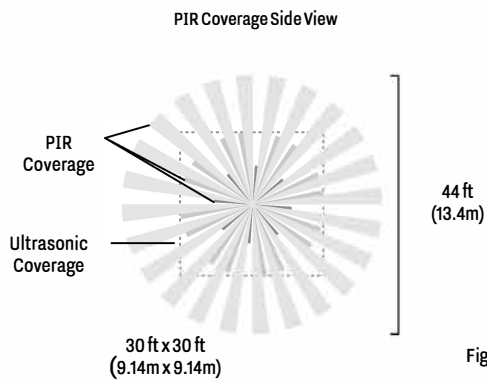
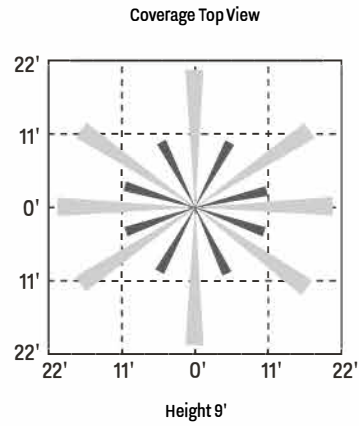
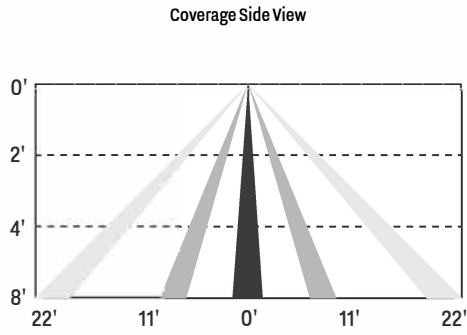
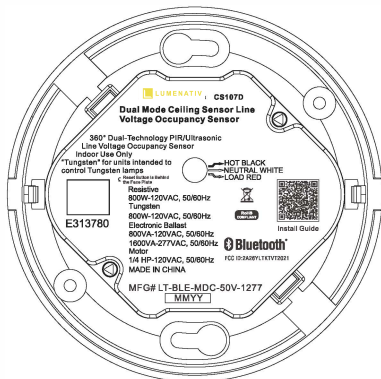


Figure 1

**MARKING**



The Bluetooth word mark and logos are registered trademarks owned by Bluetooth SIG, Inc. and any use of such marks by Litetrace is under license. Other trademarks and trade names are those of their respective owners.

**APP DOWNLOAD**

