

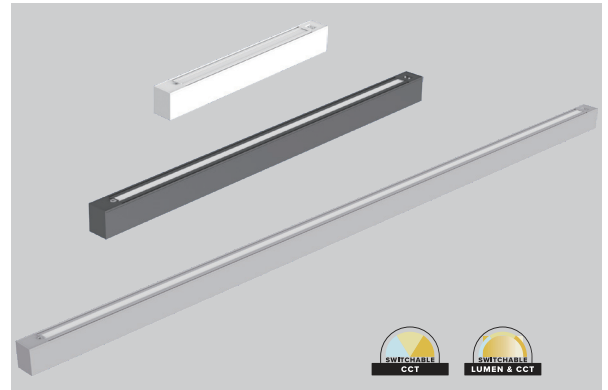
Architectural Linear Light (Direct&Indirect)

Available Sizes

2FT: LI-J0600-015D-XPCDFU-[W;B;S]

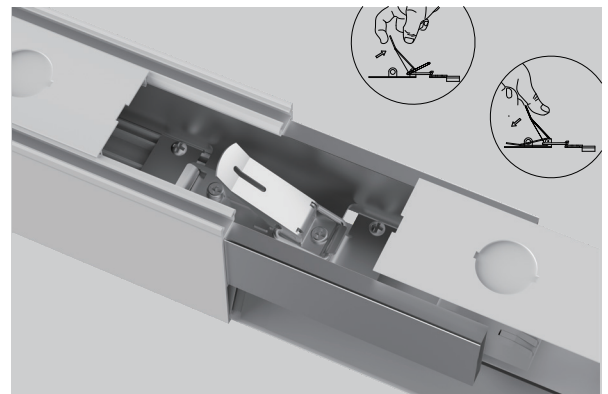
4FT: LI-J1200-050D-XPCDFU-[W;B;S]

8FT: LI-J2400-100D-XPCDFU-[W;B;S]



Features

- CCT/Watts Selectable,30%UP+70%Down lighting
- DLC Premium, up to 1620LM/FT
- Varying layout configurations (T, X, L,V)
- Seamless connection via roll Diffuser -up to 100ft
- Screwless end cap, easy installation
- Emergency Battery, PIR/Motion Sensor Option
- Pendant/Surface/Wall/Recessed installation



General Information

MODEL	Size (FT)	Wattage (W)	Efficacy (lm/W)	Colour Temp(K)	Input(V)
LI-J0600-015D-XPCDFU-[W ; B;S]	2	10-13-15	115/130	3000-4000-5000	120-277/120-347
LI-J1200-050D-XPCDFU-[W ; B;S]	4	20-24-30/30-40-50	115/130	3000-4000-5000	120-277/120-347
LI-J2400-100D-XPCDFU-[W ; B;S]	8	40-48-60/60-80-100	115/130	3000-4000-5000	120-277/120-347

Architectural Linear Light (Direct&Indirect)

Performance Data

Efficacy(lm/w)	115/130
IP Rating	20
Warranty	5 Years
Dimming	0-10V Dim
Leds Type	2835
Working Temperature	-25°C-40°C
Relative Humidity	10%-90%RH
Color Finish	RAL9011;RAL9016;RAL9006
SDCM	<5
LIFESPAN (Hrs) L80B20 @25°C	≥50000Hrs
CRI	>80; >90
CCT	3000K-4000K-5000K selectable
Beam Angle	120°
UGR	<26; <22

Electrical

Input Voltage	AC:120-277V/120-347V 50/60Hz
Output Voltage	DC: 24-38V
Power Factor	>0.9
THD	≤20%
Insulation Class	Class II
Certificate	UL/CUL , FCC , DLC5.1
Overload Protection	103~120%
Overload Protection Type	Auto Resume

Architectural Linear Light (Direct&Indirect)

Specification

Construction:

- Precision cut extruded 6063 Aluminum housing and reflector. Die-cast end caps match fixture body finish. Power coated are Protected against rust and corrosion.
- Screw-less end cap and internal Quick-Link buckle Connector makes it incredibly easy to create continuous runs without any tools.

LED Module:

- Field-adjustable CCT: 3000/4000K/ 5000K. Minimum 80 CRI standard with optional minimum 90 CRI (R9 >50). (Lumen output will be affected)
- Life: 54,000+ hr, > 70% of initial lumens (L70)
- DLC Premium, up to 1620LM/FT
- Direct and indirect lighting settings 70% direct / 30% indirect

Corners:

- Corners and other transition pieces are fully luminous
- Uses PIN pins to quickly connect power from the last fixture.
- T, Y, X, V(120°) corners are also available

Mounting:

- Suspended Mount- Direct pendant mounted in center of ceiling tile or gypsum board ceiling (standard).Optional Canopy and T-BAR clip for ceiling.
- Wall Mount- Direct wall mounted using steel cleat bracket attached to fixture housing and wall bracket with set screws.
- Surfaced Mount-Direct surface mounted using steel cleat bracket attached to fixture housing.
- Recessed Mount-Quickly install the fixture with the recessed mounted kit into open ceiling.

Optical:

- All lenses are insert-in, Polycarbonate Diffuser frosted flat lens as standard and micro prismatic diffuser,Polycarbonate reflective louvers options.
- Performance Lens provides high efficiency with controlled lens surface brightness.

Electrical:

- Driver: Class 2 drivers 120-277/347VAC, 50/60Hz electrical input (PF ≥ 0.9, THD < 20%). Minimum 85% electrical efficiency.
- Wiring: All configurations have quick connect power harnesses for row connections

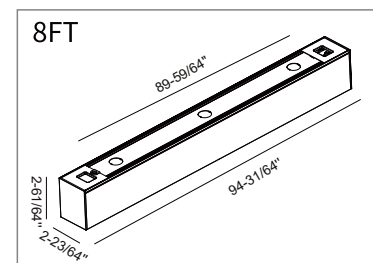
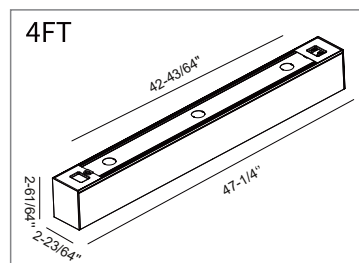
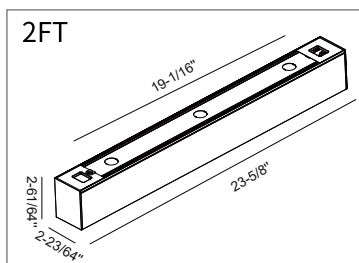
Finish:

- All painted surfaces are premium powder coated baked on for maximum durability and color stability
- W: White RAL 9016; Black (RAL9011); Silver(RAL9006)

Options:

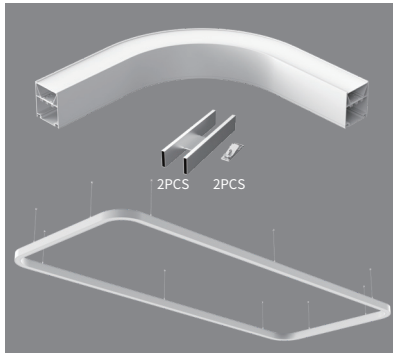
- Aux DC 12V optional for sensor. (Please reference page 6 for details)
- Emergency battery backup optional, factory pre-assembled or self-assembled, Default emergency section is 4ft in length. (Please reference page 9 for details).

Dimension



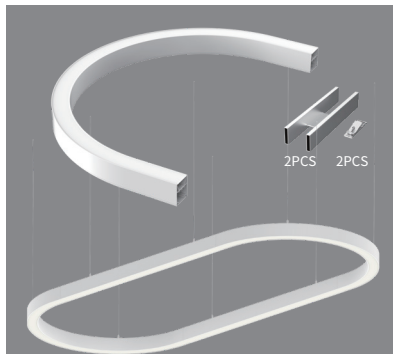
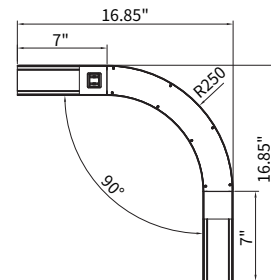
Architectural Linear Light (Direct&Indirect)

Joint Accessories



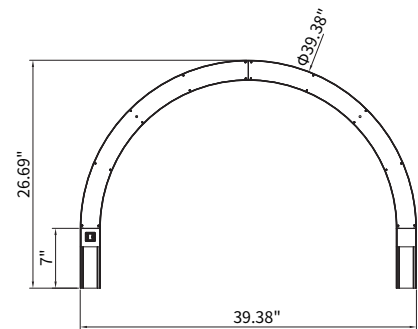
Circular corner

Model: LI-J-R0250-1/4
Input Voltage: 120-277V/120-347V
CCT: 3000K-4000K-5000K



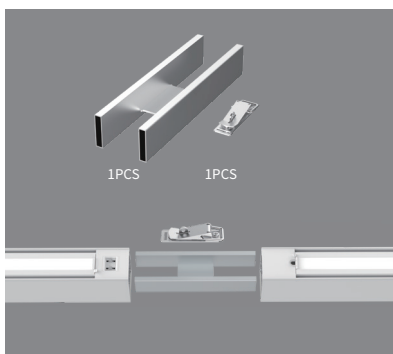
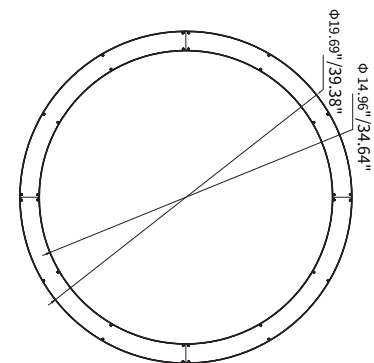
Semicircle

Model: LI-J-R0500-1/2
Wattage: 75-60-45
Input Voltage: 120-277V/120-347V
CCT: 3000K-4000K-5000K



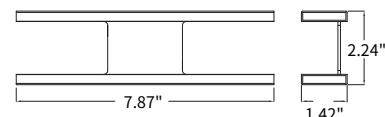
Round

Model: LI-J-O500 36-48-60W
LI-J-O1000 72-96-120W
Input Voltage: 120-277V/120-347V
CCT: 3000K-4000K-5000K



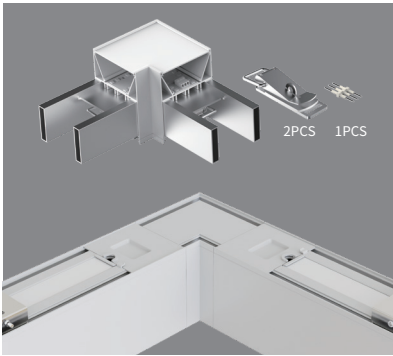
I-Type

Material: Aluminum



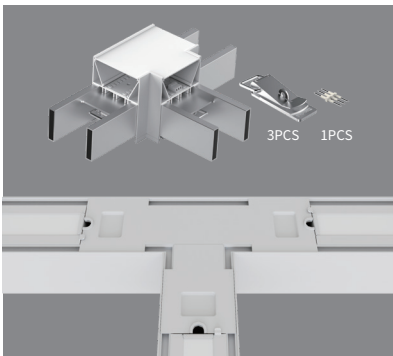
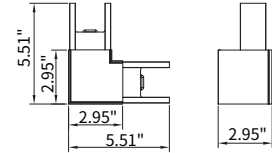
Architectural Linear Light (Direct&Indirect)

Joint Accessories



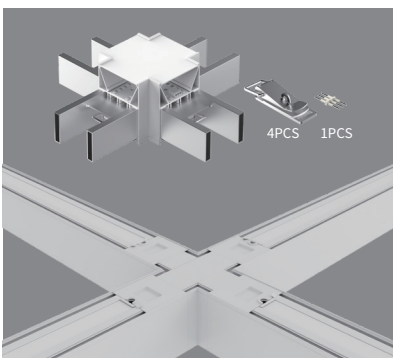
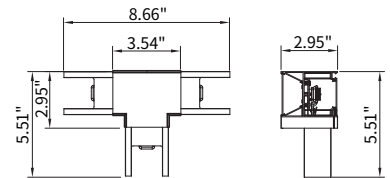
L-type

Model: LI-J-L003
CCT: 3000K-4000K-5000K



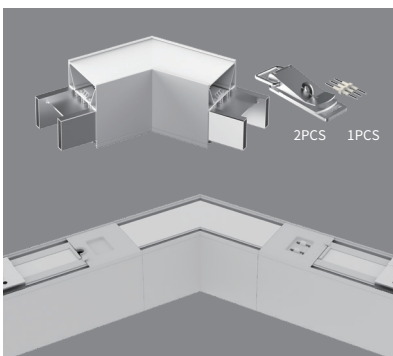
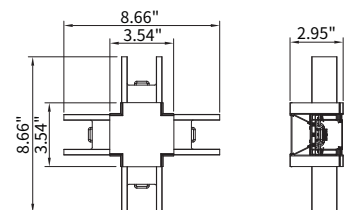
T-type

Model: LI-J-T003
CCT: 3000K-4000K-5000K



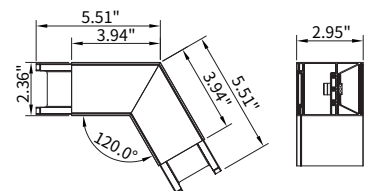
X-type

Model: LI-J-X003
CCT: 3000K-4000K-5000K



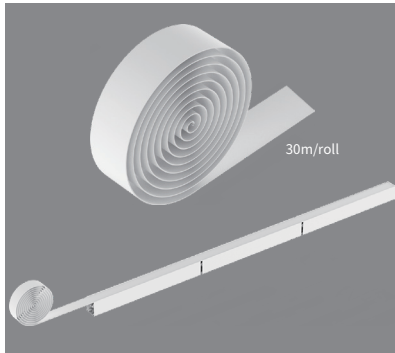
V-type

Model: LI-J-V003
CCT: 3000K-4000K-5000K



Architectural Linear Light (Direct&Indirect)

Joint Accessories



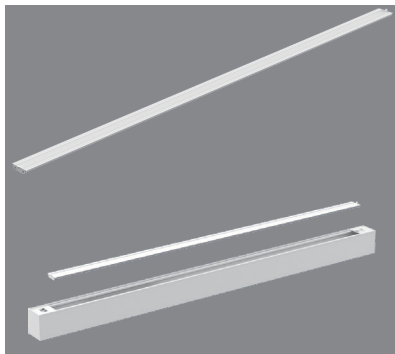
Diffuser

Size: L30000*W57*H0.8mm

Material: PC

Transmittance: >65%

Haze: >85%



Upper luminescent module

Model: LI-Jxxxx-UP

Size: 2FT :L19.09"xW1.65"xH0.43"

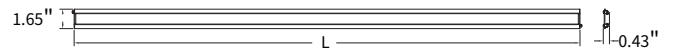
4FT :L42.71"xW1.65"xH0.43"

8FT :L70.86"xW1.65"xH0.43"

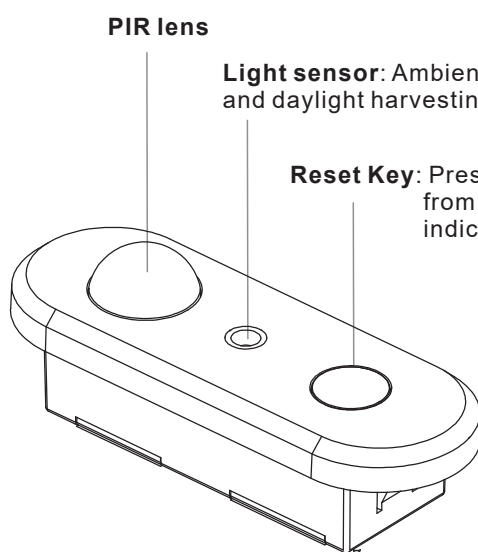
Efficacy: 115/130LM/W

Material: PC、Aluminum

Beam Angle: 120°



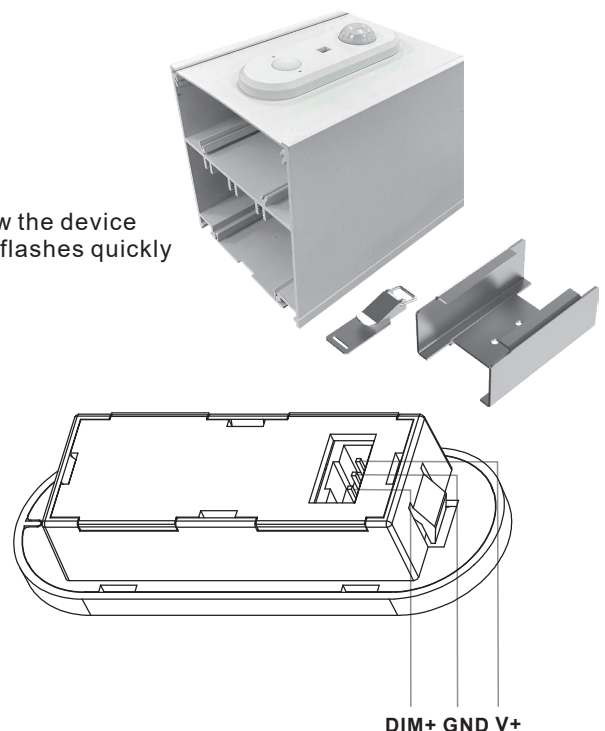
SUNRICHER PIR Sensor



PIR lens

Light sensor: Ambient light detection and daylight harvesting

Reset Key: Press it to help withdraw the device from internet/APP, LED flashes quickly indicates success.



DIM+ GND V+

Suzhou Kinglight Optoelectronics Co.,Ltd

Architectural light [NA]

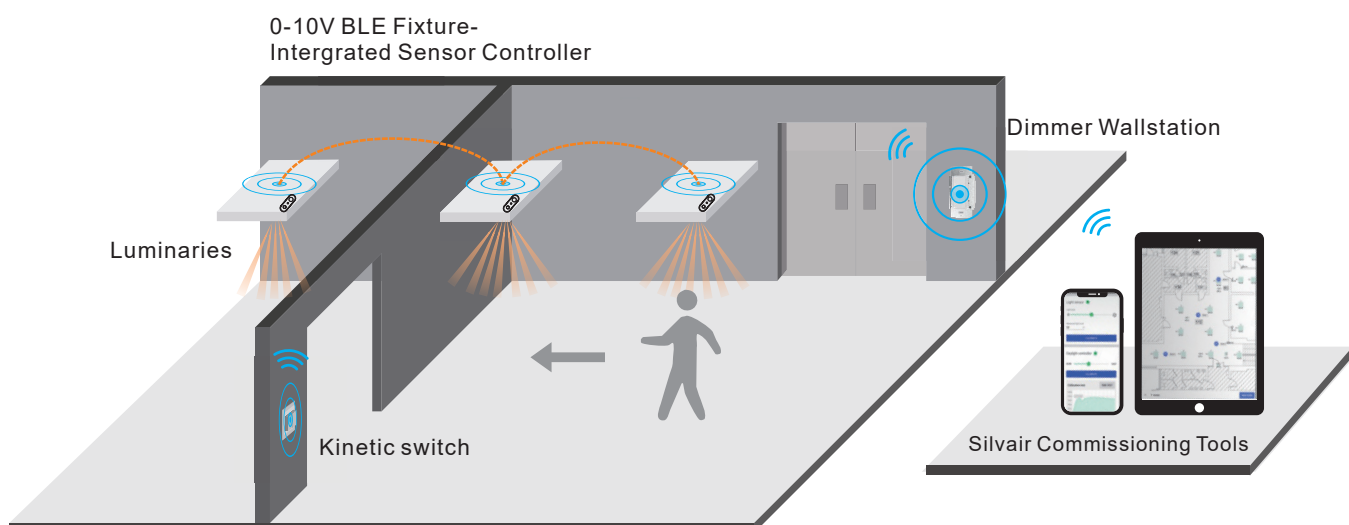
Parameters

Input		Output, 0/1-10V	Control		Environment		Others
Power	Signal	Current	Dimming Curve	Dimming Method	Operating temperature	Relative humidity	Size
12-24VDC	Bluetooth	Max. 20mA	Logarithmic	PWM	0°C~+45°C	8% to 80%	See dimensions

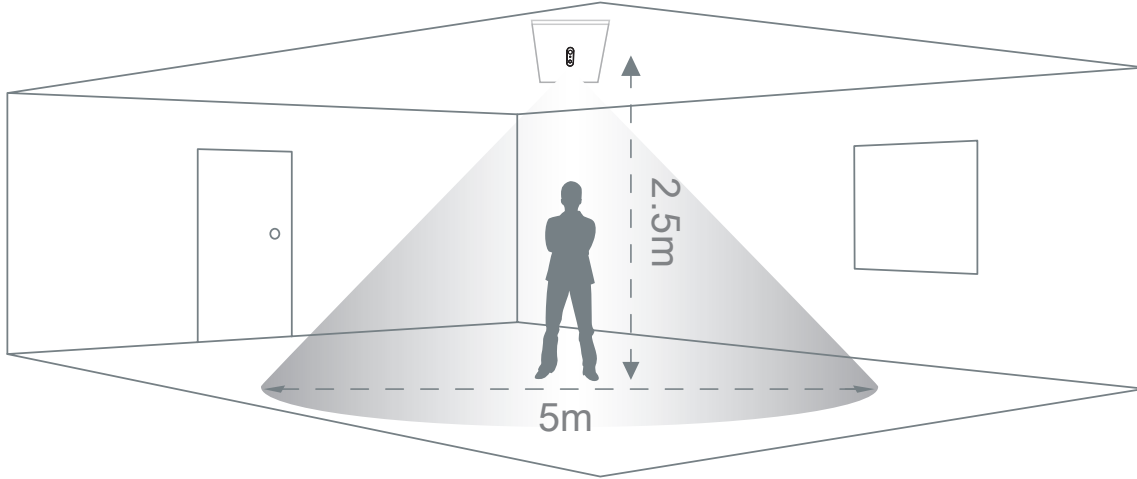
Features

- Bluetooth to 0-10V signal PIR sensor controller, Bluetooth® mesh network
- Built-in 20mA 0-10V signal output
- Mesh network, which has a much longer control distance, transmits received signals to neighboring devices
- All devices on 0-10V line are broadcast controlled by mobile application
- Supporting our kinetic energy switches and EnOcean switches EWSSB and EWSDB
- In typical indoor environment, the typical range for wireless communication is 20m to 25m . Actual range is dependent on field installation.
- Standby power consumption less than 0.5W, meet latest ERP regulation
- Available with Magnetic reset (Touch the top part of sensor for 5 seconds)
- On-board antenna
- Waterproof grade: IP20
- 5 years warranty

Application

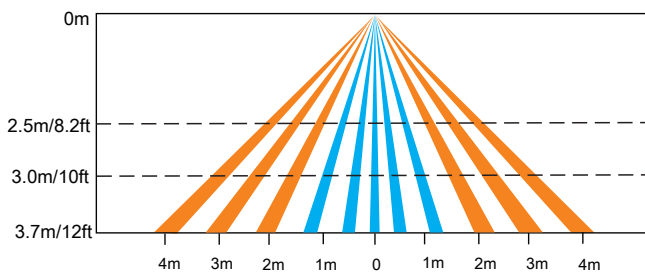


Architectural light [NA]

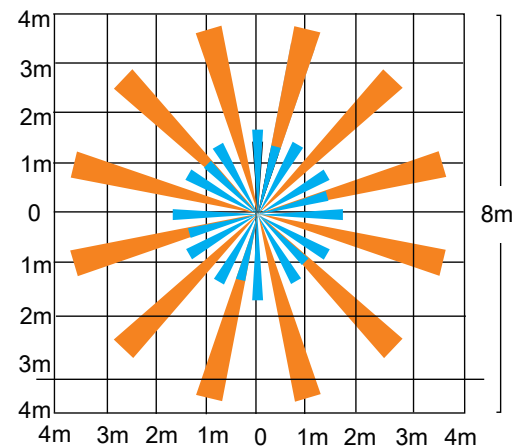


Coverage View

Coverage Side View



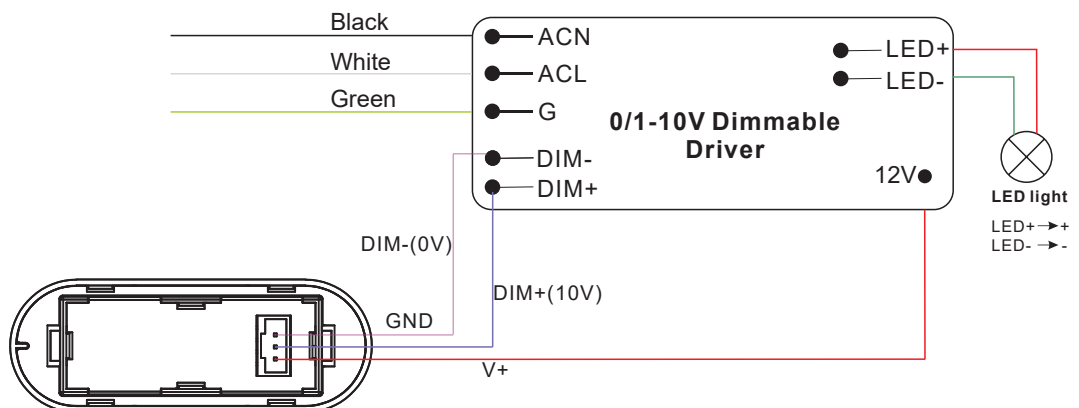
Coverage Top View



The detection area for movement sensor can be roughly divided into two parts:

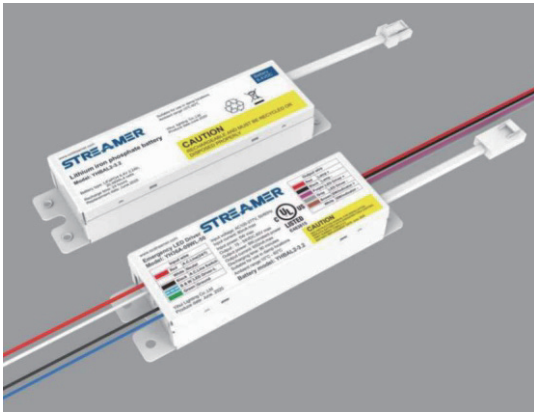
- Slow movement (person moving <math>< 1.0'/s</math> or $0.3m/s$)
- Quick movement (person moving >math>1.3'/s</math> or $0.4m/s$)

Wiring



Architectural light [NA]

LED emergency driver



Product description

- Suit for 4W to 200W lamp with external Led driver.
- Used with LiFePO4 battery.
- Constant power output.
- LED emergency converter that can transfer standard LED fitting into emergency LED fitting.
- Accessory test switch and charge indicator.

Applications

- UL Listed for dry locations.
- For use on a wide range of LED fittings to convert them from standard to emergency fitting.
- Additional Relay that can control standard LED driver.
- Deep discharge protection.
- Ambient range t_a 0...60°C.
- IP20 protection.

Protections:

- Input over current protection.
- Output over voltage protection.
- Output under current protection.
- Output short circuit protection.

Warranty

- Warranty 5 years,
- Emergency driver and battery.

Technical data

Item	Data
Rated input voltage	100-347V, 100-277VAC, 50/60Hz
Input current	120mA Max
Input power	8W max
Power factor	0.6 @100VAC, 0.5@347VAC
Output wire L-out N-out (LED load input)	AC 6A Max
Output voltage range	DC25-54V, 60V max; 90-300V, 350V max.
Output voltage(emergency mode)	4, 9, 16, 25W, Constant power
Battery cells type	LiFePO4 3.2V, 18650-1.6Ah, 26650-3.3Ah
Recharge current	0-500mA
Recharge time	24---48hours
Discharge time	90 minutes
Max. casing temperature t_c	80°C
Ambient operating temperature t_a	0-60°C
Service life	50000 hours
RFI/EMI	FCC

Architectural light [NA]

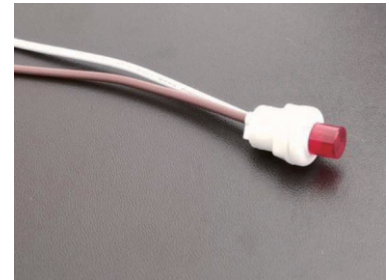
Test switch

- Emergency conversion Kit will go into emergency mode if test switch is pressed when main supply is on, while it will go into charging mode if test switch is not pressed.

In emergency mode, press the test switch for 3 seconds to turn off the current emergency state.

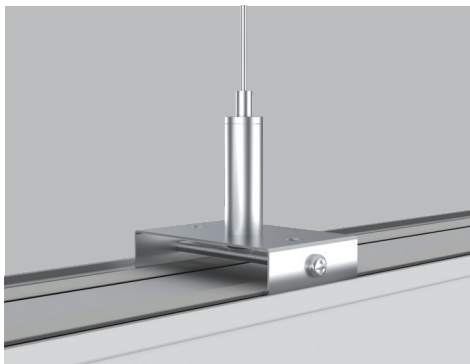
LED indicator

- Red stable: charging mode or charging full.
- Red off: mains power off or discharging mode.

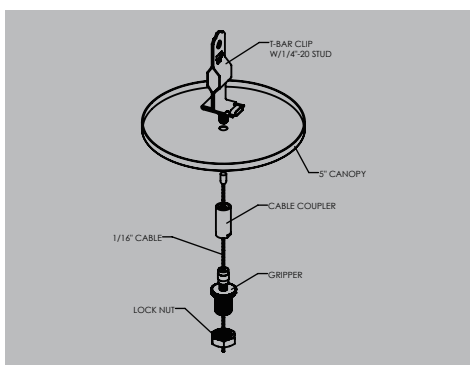


Installation

Suspension mounted



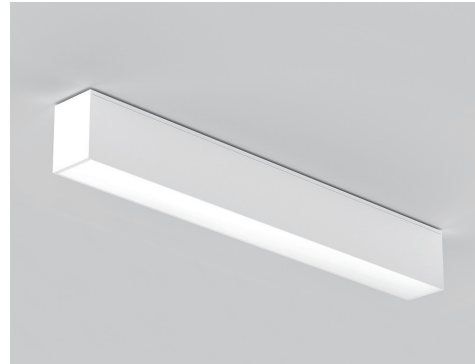
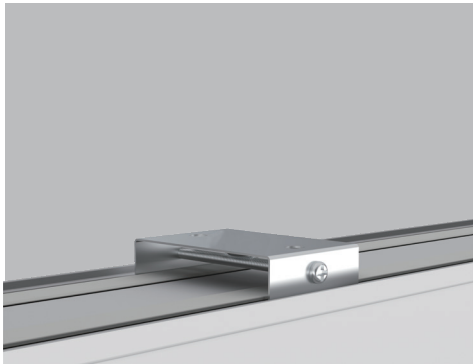
T-grid mounted



Architectural light [NA]

Installation

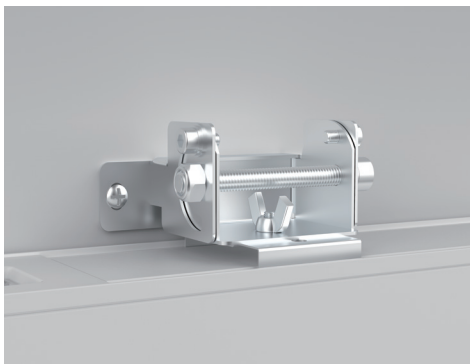
Surface mounted



Recessed mounted



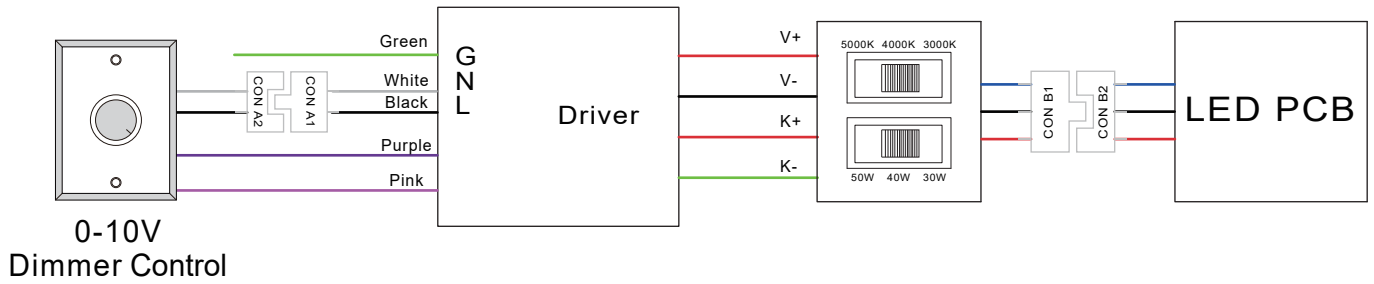
180° adjustable Wall mounted



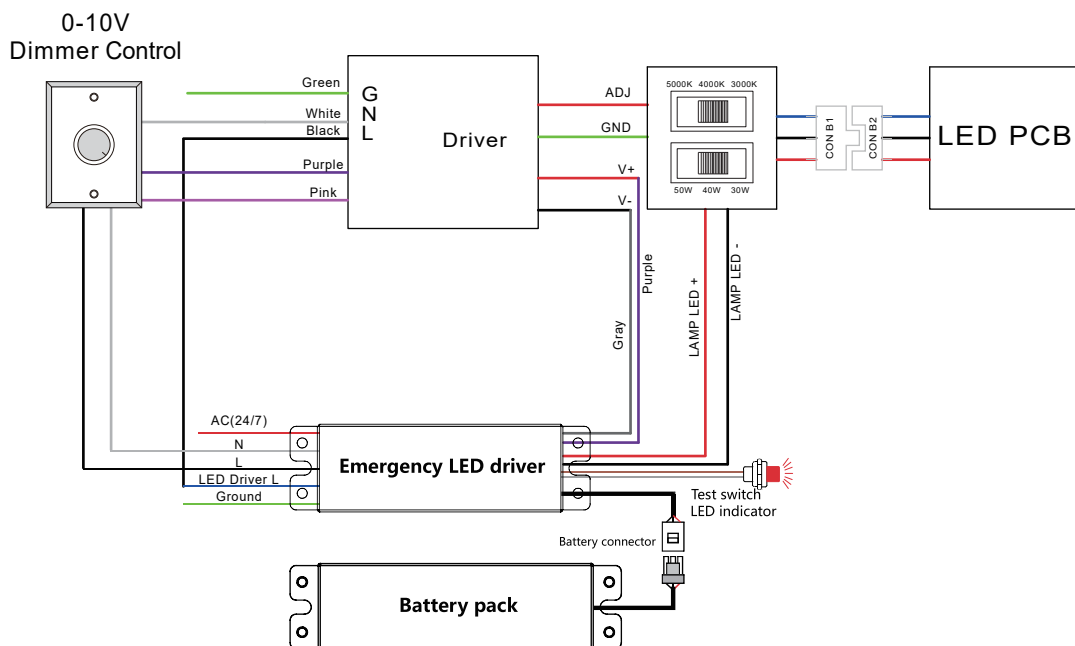
Architectural light [NA]

Wiring diagram

0-10V - DIMMING (Standard) Wiring:



Emergency fixture with built-in battery pack (emb) wiring: Note: EMB not available on lengths under 4'



Architectural light [NA]

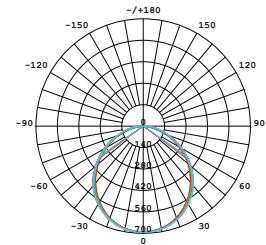
Photometry

LUMINAIRE DATA

Test No.	LI-J0600-15D-SPCDFS-[W;B]
Description	DIRECT Lighting
Delivered Lumens	1843 LM
Watts	15.9 W
Efficacy	115.53 LM/W

ZONAL LUMEN SUMMARY

Zone	Lumens	% Luminaire
0-30	516.2	28
0-40	842.2	45.7
0-60	1469	88.5
0-90	1843	100.0
0-180	0	0

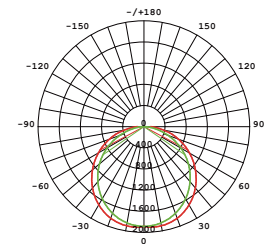


LUMINAIRE DATA

Test No.	LI-J1200-50D-SPCDFS-[W;B]
Description	DIRECT Lighting
Delivered Lumens	5789.07 LM
Watts	49.48 W
Efficacy	117.01 LM/W

ZONAL LUMEN SUMMARY

Zone	Lumens	% Luminaire
0-30	1494	25.8
0-40	2460	42.5
0-60	4408	76.1
0-90	5789	100.0
0-180	0	0

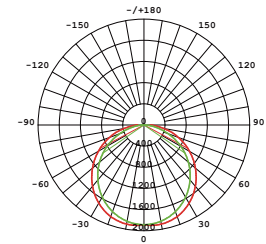


LUMINAIRE DATA

Test No.	LI-J2400-100D-SPCDFS-[W;B]
Description	DIRECT Lighting
Delivered Lumens	11578.14 LM
Watts	98.96 W
Efficacy	115.53 LM/W

ZONAL LUMEN SUMMARY

Zone	Lumens	% Luminaire
0-30	2988	28
0-40	4920	45.7
0-60	8816	88.5
0-90	11578	100.0
0-180	0	0

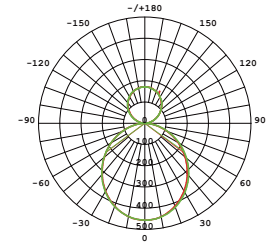


LUMINAIRE DATA

Test No.	LI-J0600-15D-SPCDFU-[W;B]
Description	INDIRECT / DIRECT Lighting
Delivered Lumens	1714 LM
Watts	14.81 W
Efficacy	115.74 LM/W

ZONAL LUMEN SUMMARY

Zone	Lumens	% Luminaire
0-30	347.6	20.3
0-40	562.8	32.8
0-60	975	56.9
0-90	1228	71.7
90-120	104	6
90-150	353	20.5
90-180	486	28.3

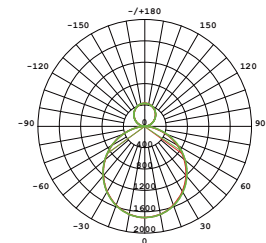


LUMINAIRE DATA

Test No.	LI-J1200-50D-SPCDFU-[W;B]
Description	INDIRECT / DIRECT Lighting
Delivered Lumens	5943.81 LM
Watts	49.62 W
Efficacy	119.78 LM/W

ZONAL LUMEN SUMMARY

Zone	Lumens	% Luminaire
0-30	1313	22.1
0-40	2139	36
0-60	3743	63
0-90	4706	79.2
90-120	266	4.5
90-150	902	15.2
90-180	1237	20.8

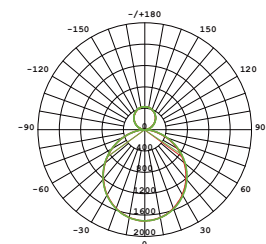


LUMINAIRE DATA

Test No.	LI-J2400-100D-SPCDFU-[W;B]
Description	INDIRECT / DIRECT Lighting
Delivered Lumens	11887.62 LM
Watts	99.24 W
Efficacy	119.78 LM/W

ZONAL LUMEN SUMMARY

Zone	Lumens	% Luminaire
0-30	2626	22.1
0-40	4278	36
0-60	7486	63
0-90	9412	79.2
90-120	532	4.5
90-150	1804	15.2
90-180	2474	20.8



Architectural light [NA]

Packaging

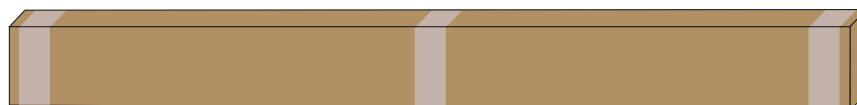
Model	2F			4FT			8FT		
Net Weight	1.5Kg			2.5Kg			4.7Kg		
Gross Weight	9.9Kg			16.5Kg			21.8Kg		
Carton SizeL*W*H(mm)	650*320*150			1250*320*150			2450*220*85		
Packing quantity	6 pcs, 1 outer box 1 pcs, 1 inner box			6 pcs, 1 outer box 1 pcs, 1 inner box			4 pcs, 1 outer box 1 pcs, 1 inner box		
Packaging	20GP	40GP	40HQ	20GP	40GP	40HQ	20GP	40GP	40HQ
	5298pcs	11328pcs	12840pcs	2700pcs	5850pcs	6630pcs	960pcs	1920pcs	2240pcs



PE bag packaging



B Corrugated bursting resistant 4.5KG inner box packaging



AB corrugated burst resistant 20KG outer box packaging